

C5750X7T2W684K200KA

TDK Item Description : C5750X7T2W684KT****

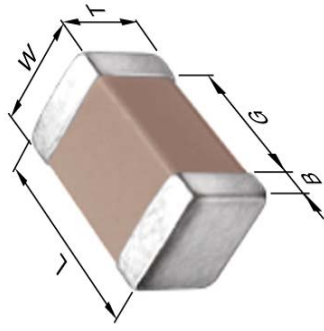


Application & Main Feature

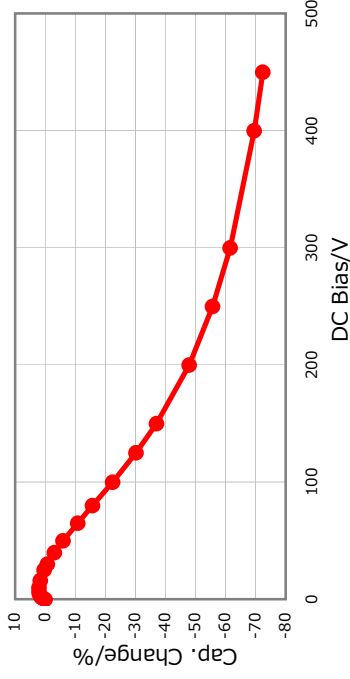
Commercial Grade (Mid Voltage (100 to 630V))

Series

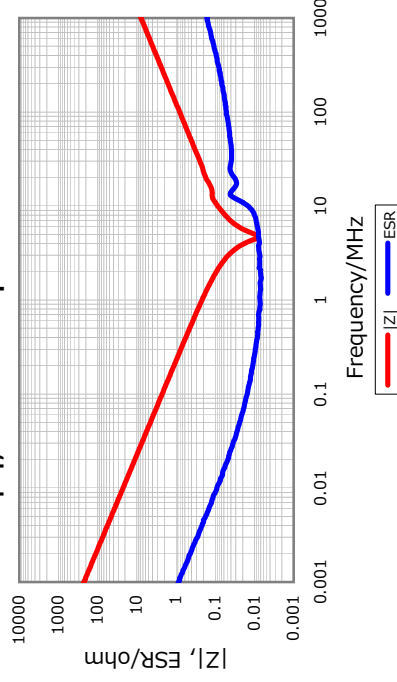
C5750 [EIA CC2220]



DC Bias Characteristic

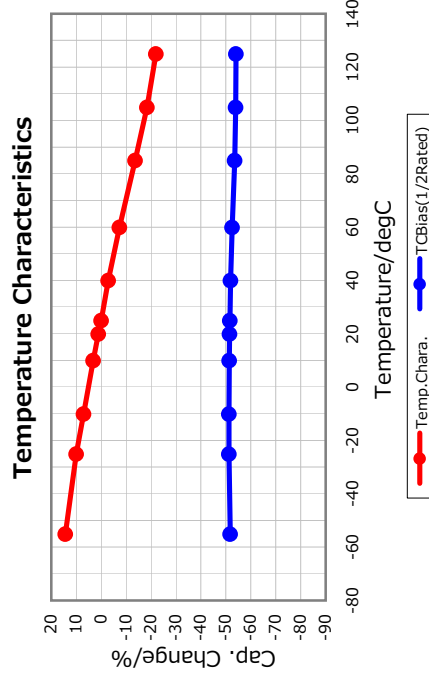


|Z|, ESR vs. Freq. Characteristics



Temperature Characteristic

X7T (-55 to 125 degC +22,-33%)

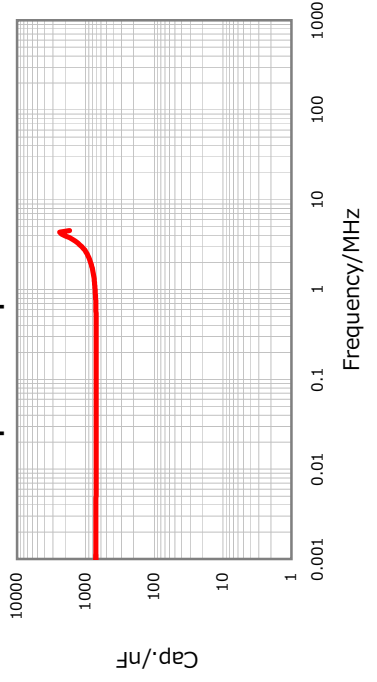


Characterization Sheet (Multilayer Ceramic Chip Capacitors)

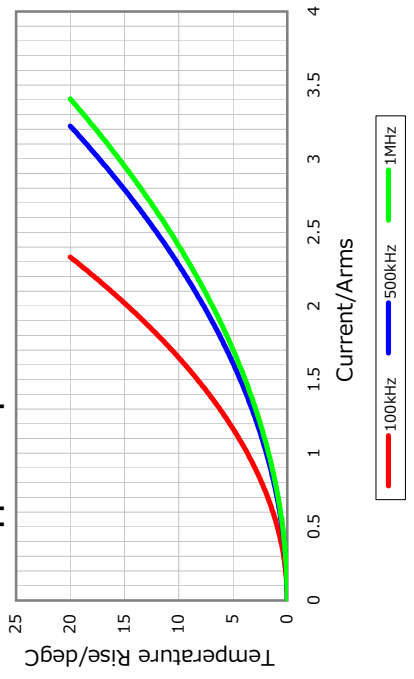
All specifications are subject to change without notice.



Cap. vs. Freq. Characteristic



Ripple Temperature Rise Characteristics



Characterization Sheet (Multilayer Ceramic Chip Capacitors)

All specifications are subject to change without notice.

