

CGA4J3X8R1H224K125AD

TDK Item Description : CGA4J3X8R1H224KT***B

Equivalent C2012X8R1H224K for Automotive

Application & Main Feature

Automotive Grade (Conductive Epoxy Application)

Series

CGA4(2012) [EIA CC0805]

Dimensions

L	2.00mm	+/-0.25mm
W	1.25mm	+/-0.25mm
T	1.25mm	+/-0.25mm
B	0.20mm	Min.
G	0.50mm	Min.

Temperature Characteristic

X8R (-55 to 150 degC +/-15%)

Rated Voltage

1H (50Vdc)

Capacitance

220nF

Capacitance Tolerance

K (+/-10%)

Dissipation Factor

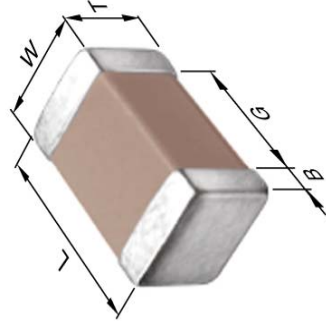
3% Max.

Insulation Resistance

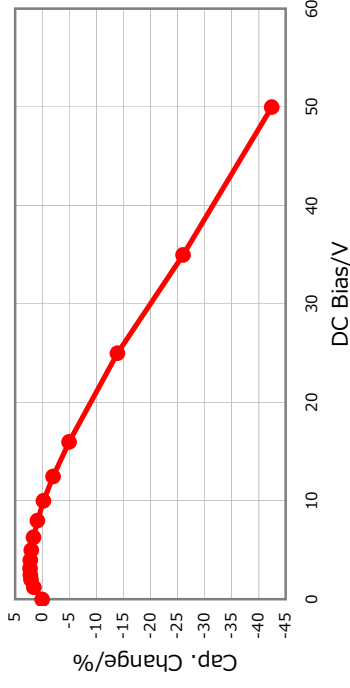
2.27Gohm Min.

AEC-Q200

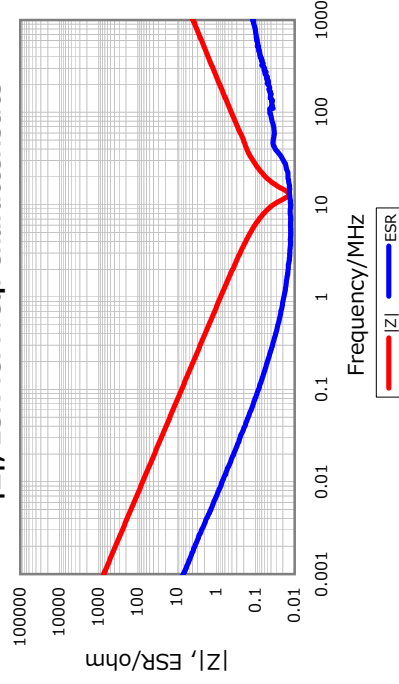
Yes



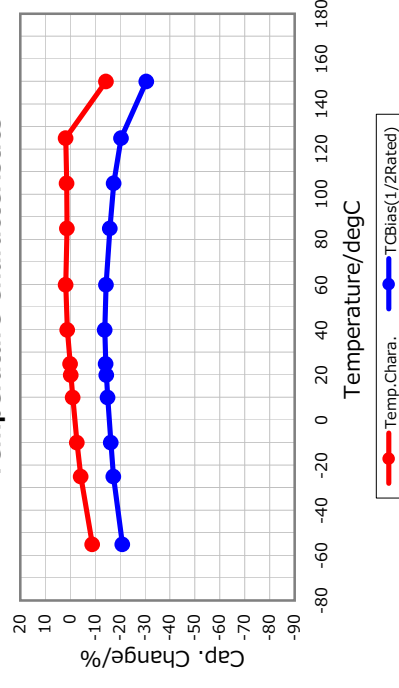
DC Bias Characteristic



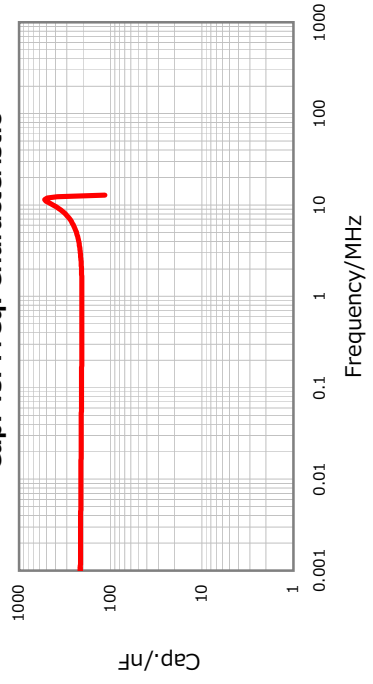
|Z|, ESR vs. Freq. Characteristics



Temperature Characteristics



Cap. vs. Freq. Characteristic



Ripple Temperature Rise Characteristics

