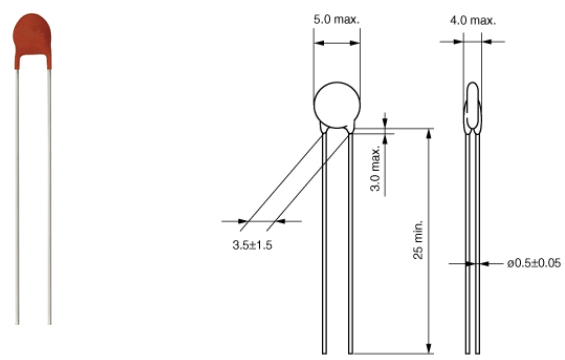


PTFL04BC222Q2N34B0



Appearance & Shape



Features

1. Compact and light design as well as excellent thermal response.
2. Contactless operation provides a prolonged service life, yet permits noiseless operation.
3. The operating point of "POSISTOR" is set on the steepest point along the resistance-temperature characteristic curve, thus performing the overheat protective operation securely.
4. PTFM Series and PTFL Series have same resistance-temperature characteristic, providing a selection depending on the mounting method.

Applications


Limited Usage	Consumer Grade
---------------	----------------

Packaging Information

Packaging	Specifications	Standard Packing Quantity
B0	Bulk(Bag)	400

Attention
 1.This datasheet is downloaded from the website of Murata Manufacturing Co., Ltd. Therefore, it's specifications are subject to change or our products in it may be discontinued without advance notice. Please check with our sales representatives or product engineers before ordering.
 2.This datasheet has only typical specifications because there is no space for detailed specifications.
 Therefore, please review our product specifications or consult the approval sheet for product specifications before ordering.

PTFL04BC222Q2N34B0



Specifications

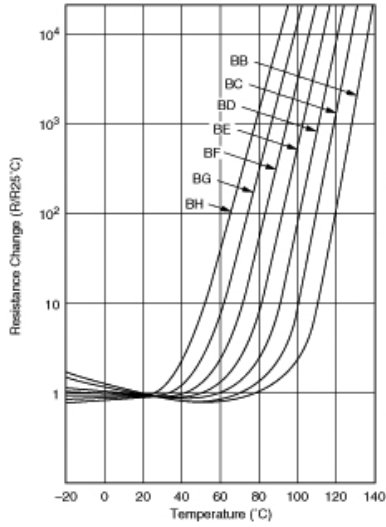
Max. Voltage	16V
Sensing Temperature	110°C
Measure Condition of Sensing Temperature	TS°C
Resistance (25°C)	330Ω
Resistance Value Tolerance (at 25°C)	max.
Resistance	1.5kΩ
Measure Condition of Resistance	max.(TS-10°C)
Resistance Value(2)	2.2kΩ
Measure Condition of Resistance(2)	min.(TS°C)
Operating Temperature Range	-10°C to 120°C
Shape	Lead
Mass	0.30g
MSL	N

Attention

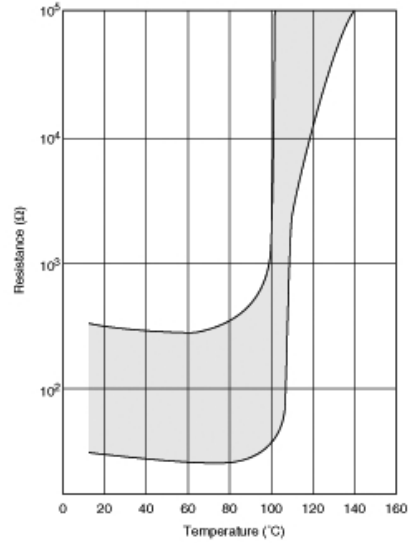
- 1.This datasheet is downloaded from the website of Murata Manufacturing Co., Ltd. Therefore, it's specifications are subject to change or our products in it may be discontinued without advance notice. Please check with our sales representatives or product engineers before ordering.
- 2.This datasheet has only typical specifications because there is no space for detailed specifications. Therefore, please review our product specifications or consult the approval sheet for product specifications before ordering.

PTFL04BC222Q2N34B0

Product Data



Resistance-Temperature Characteristics



Resistance-Temperature Characteristics Range

Attention

- 1.This datasheet is downloaded from the website of Murata Manufacturing Co., Ltd. Therefore, it's specifications are subject to change or our products in it may be discontinued without advance notice. Please check with our sales representatives or product engineers before ordering.
- 2.This datasheet has only typical specifications because there is no space for detailed specifications. Therefore, please review our product specifications or consult the approval sheet for product specifications before ordering.