

C3225X7R2A334K200AM

TDK Item Description : C3225X7R2A334KT5***



Application & Main Feature

Commercial Grade (Open Mode)

Series

C3225 [EIA CC1210]

Dimensions

L	3.20mm	+/-0.4mm
W	2.50mm	+/-0.3mm
T	2.00mm	+/-0.2mm
B	0.20mm Min.	
G		

Temperature Characteristic

X7R (-55 to 125 degC +/-15%)

Rated Voltage

2A (100Vdc)

Capacitance

330nF

Capacitance Tolerance

K (+/-10%)

Dissipation Factor

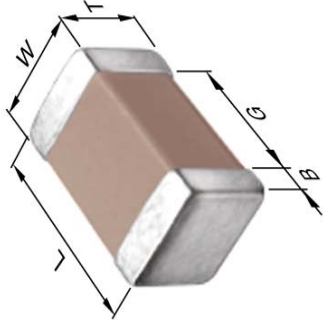
3% Max.

Insulation Resistance

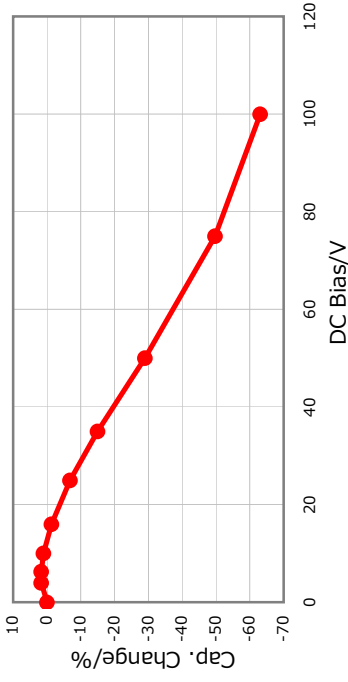
1.52Gohm Min.

AEC-Q200

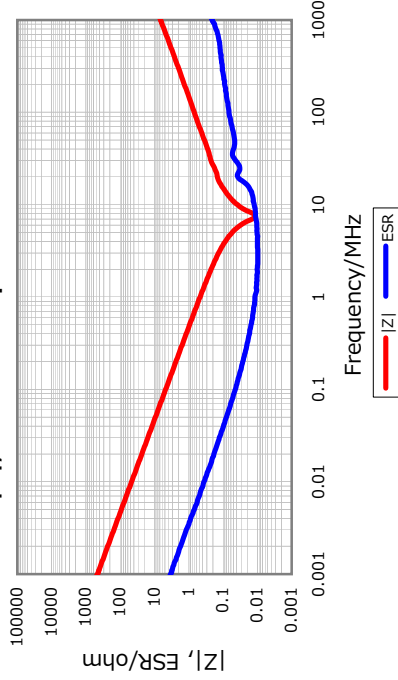
Not Applicable



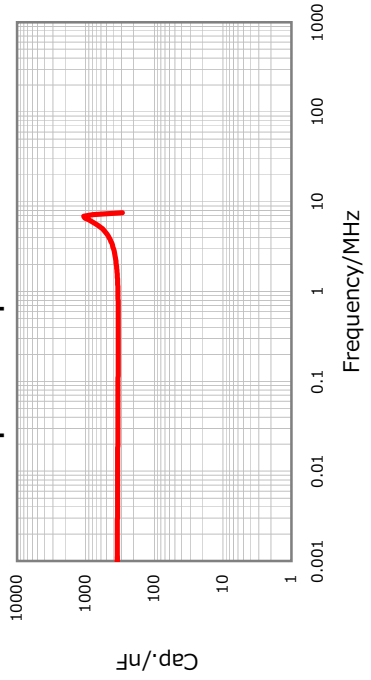
DC Bias Characteristic



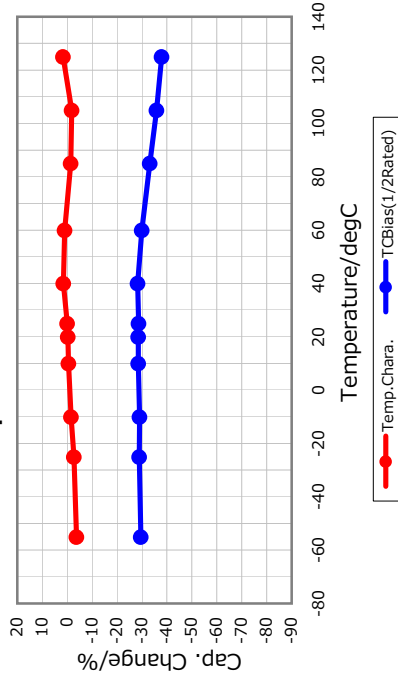
|Z|, ESR vs. Freq. Characteristics



Cap. vs. Freq. Characteristic



Temperature Characteristics



Ripple Temperature Rise Characteristics

