

# C2012C0G2E272J125AA

TDK Item Description : C2012C0G2E272JT\*\*\*\*\*

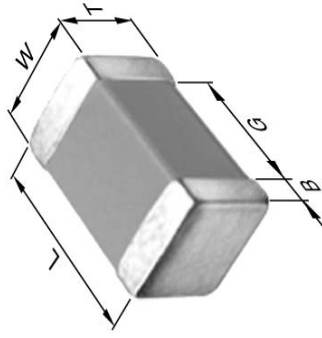


## Application & Main Feature

Commercial Grade ( Mid Voltage (100 to 630V) )

## Series

C2012 [EIA CC0805]



## Dimensions

L	2.00mm	+/-0.2mm
W	1.25mm	+/-0.2mm
T	1.25mm	+/-0.2mm
B	0.20mm	Min.
G	0.50mm	Min.

## Temperature Characteristic

C0G (-55 to 125 degC 0+/-30ppm/degC)

## Rated Voltage

2E (250Vdc)

## Capacitance

2.7nF

## Capacitance Tolerance

J (+/-5%)

## Q Factor

1000 Min.

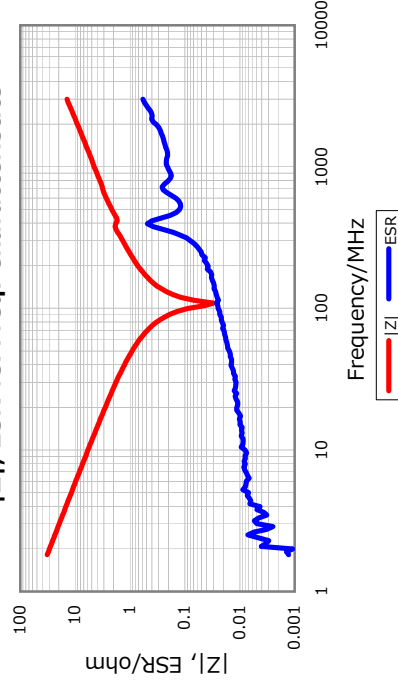
## Insulation Resistance

10Gohm Min.

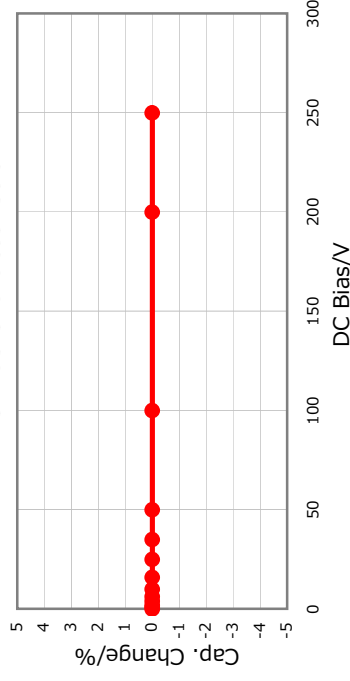
## AEC-Q200

Not Applicable

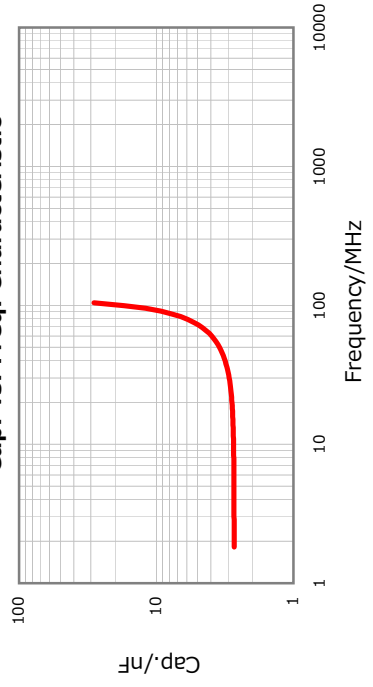
## |Z|, ESR vs. Freq. Characteristics



## DC Bias Characteristic



## Cap. vs. Freq. Characteristic



## Temperature Characteristics

