

CGJ2B3X7R1E104K050BB

TDK Item Description : CGJ2B3X7R1E104KT*****

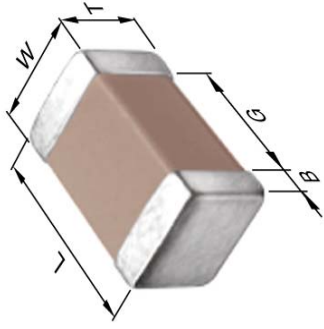


Application & Main Feature

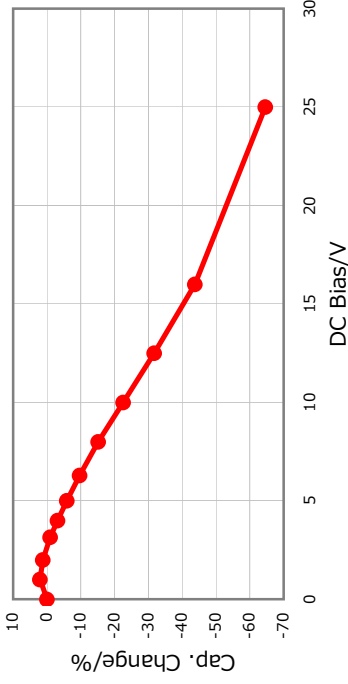
High Reliability Grade (General (Up to 50V))

Series

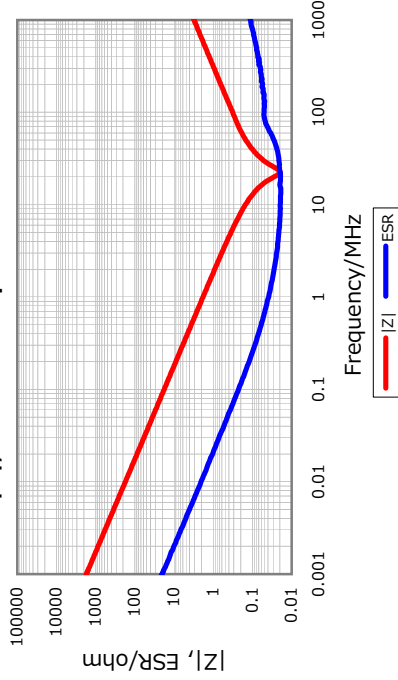
CGJ2(1005) [EIA CC0402]



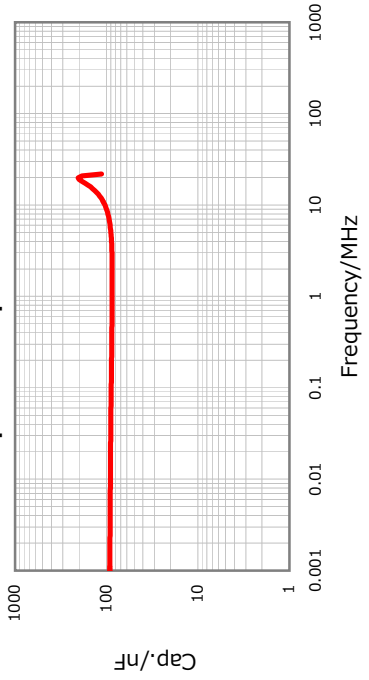
DC Bias Characteristic



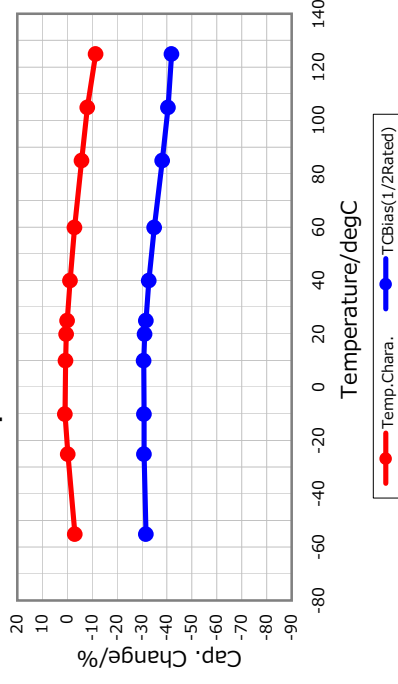
|Z|, ESR vs. Freq. Characteristics



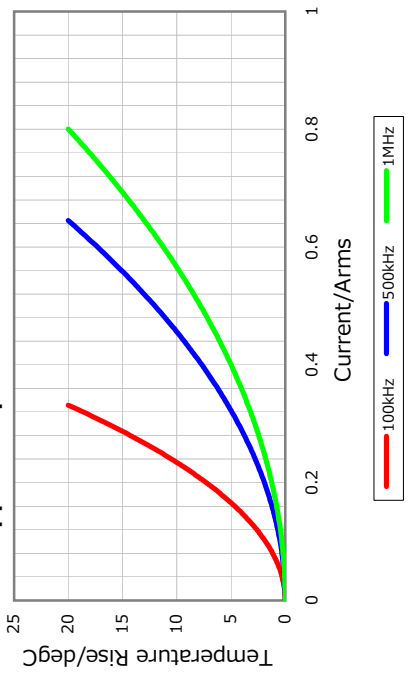
Cap. vs. Freq. Characteristic



Temperature Characteristics



Ripple Temperature Rise Characteristics



Dimensions

- L 1.00mm +/-0.05mm
- W 0.50mm +/-0.05mm
- T 0.50mm +/-0.05mm
- B 0.10mm Min.
- G 0.30mm Min.

Temperature Characteristic

X7R (-55 to 125 degC +/-15%)

Rated Voltage

1E (25Vdc)

Capacitance

100nF

Capacitance Tolerance

K (+/-10%)

Dissipation Factor

5% Max.

Insulation Resistance

5Gohm Min.

AEC-Q200

Yes



All specifications are subject to change without notice.

January 4, 2016