

C2012C0G2A152J060AA

TDK Item Description : C2012C0G2A152JT****

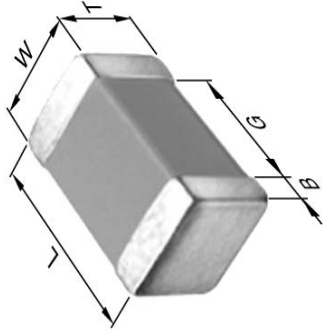


Application & Main Feature

Commercial Grade (Mid Voltage (100 to 630V))

Series

C2012 [EIA CC0805]



Dimensions

L	2.00mm	+/-0.2mm
W	1.25mm	+/-0.2mm
T	0.60mm	+/-0.15mm
B	0.20mm	Min.
G	0.50mm	Min.

Temperature Characteristic

C0G (-55 to 125 degC 0+/-30ppm/degC)

Rated Voltage

2A (100Vdc)

Capacitance

1.5nF

Capacitance Tolerance

J (+/-5%)

Q Factor

1000 Min.

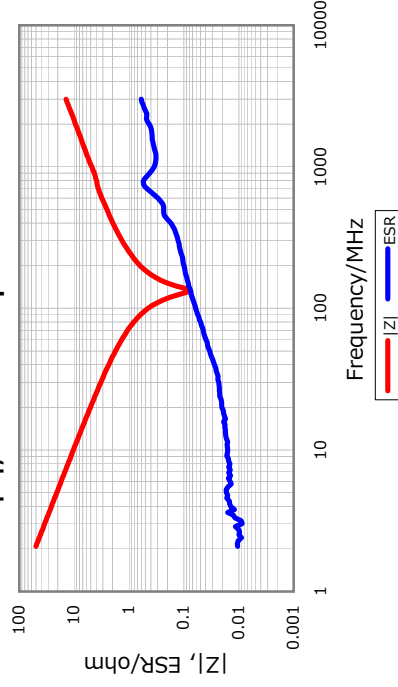
Insulation Resistance

10Gohm Min.

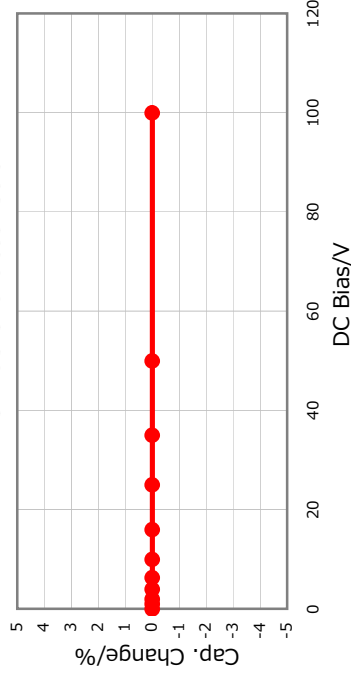
AEC-Q200

Not Applicable

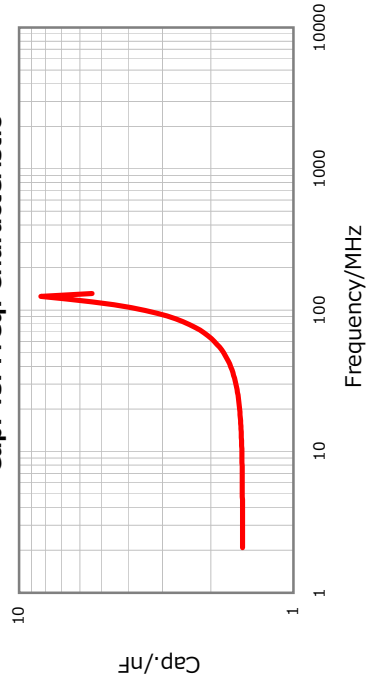
|Z|, ESR vs. Freq. Characteristics



DC Bias Characteristic



Cap. vs. Freq. Characteristic



Temperature Characteristics

