

# C1005X7S2A472K050BB

TDK Item Description : C1005X7S2A472KT\*\*\*\*

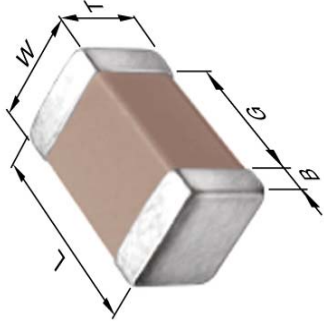


## Application & Main Feature

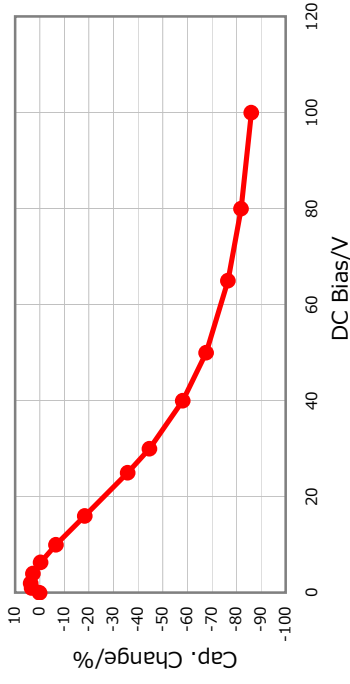
Commercial Grade ( Mid Voltage (100 to 630V) )

## Series

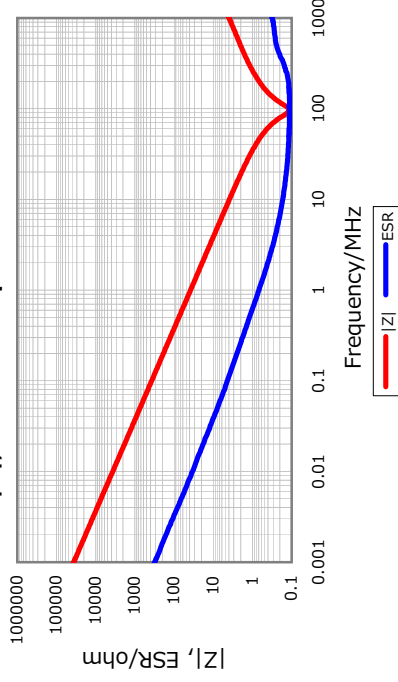
C1005 [EIA CC0402]



## DC Bias Characteristic



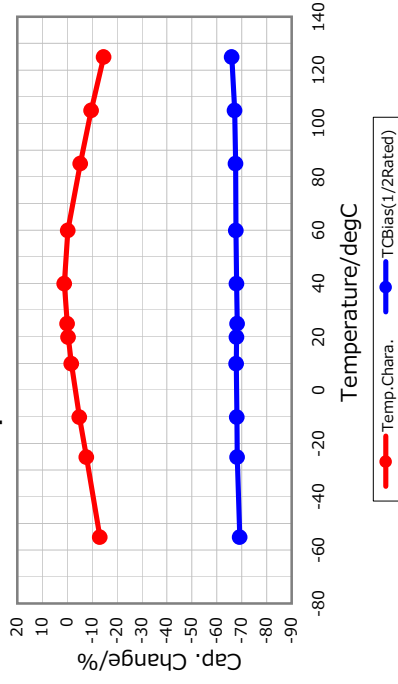
## |Z|, ESR vs. Freq. Characteristics



## Temperature Characteristic

X7S (-55 to 125 degC +/-22%)

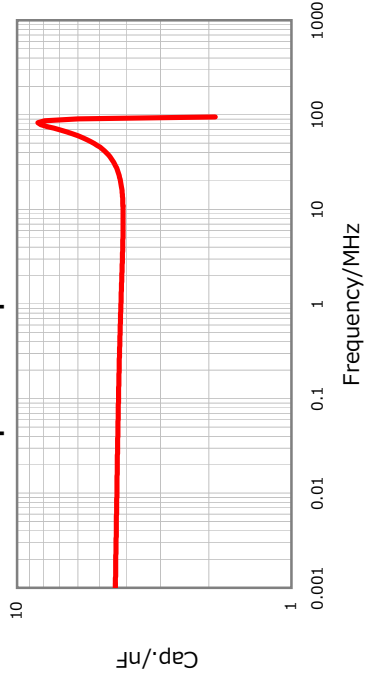
## Temperature Characteristics



Characterization Sheet ( Multilayer Ceramic Chip Capacitors )

All specifications are subject to change without notice.

## Cap. vs. Freq. Characteristic



## Ripple Temperature Rise Characteristics

