

CGA5L3X8R1H684M160AB

TDK Item Description : CGA5L3X8R1H684MT*****

Equivalent C3216X8R1H684M for Automotive

Application & Main Feature

Automotive Grade (High Temperature Application)

Series

CGA5(3216) [EIA CC1206]

Dimensions

| | | |
|---|--------|----------|
| L | 3.20mm | +/-0.2mm |
| W | 1.60mm | +/-0.2mm |
| T | 1.60mm | +/-0.2mm |
| B | 0.20mm | Min. |
| G | 1.00mm | Min. |

Temperature Characteristic

X8R (-55 to 150 degC +/-15%)

Rated Voltage

1H (50Vdc)

Capacitance

680nF

Capacitance Tolerance

M (+/-20%)

Dissipation Factor

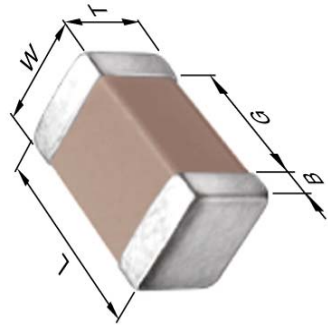
3% Max.

Insulation Resistance

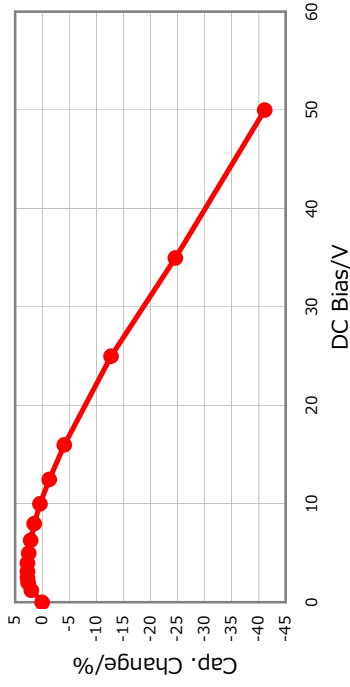
735Mohm Min.

AEC-Q200

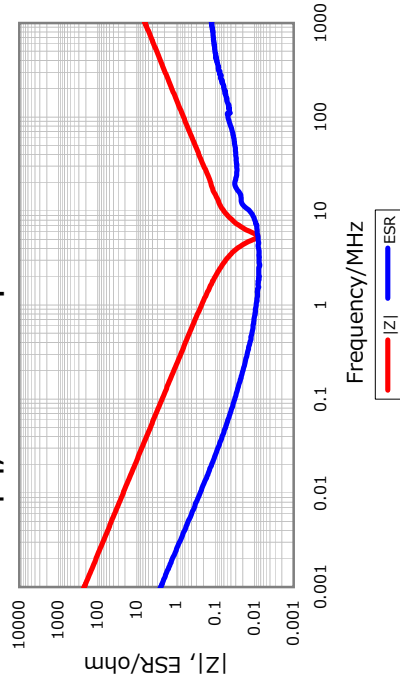
Yes



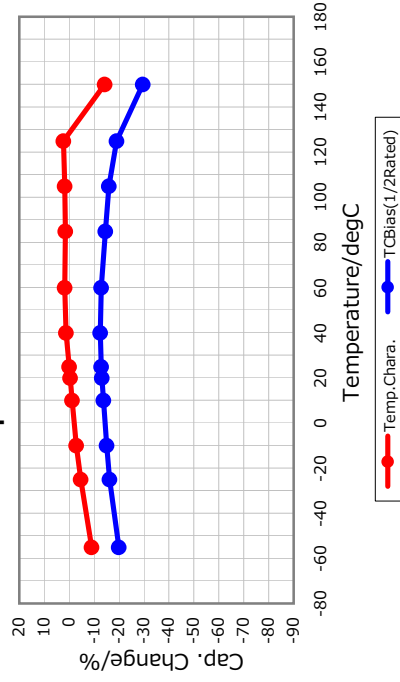
DC Bias Characteristic



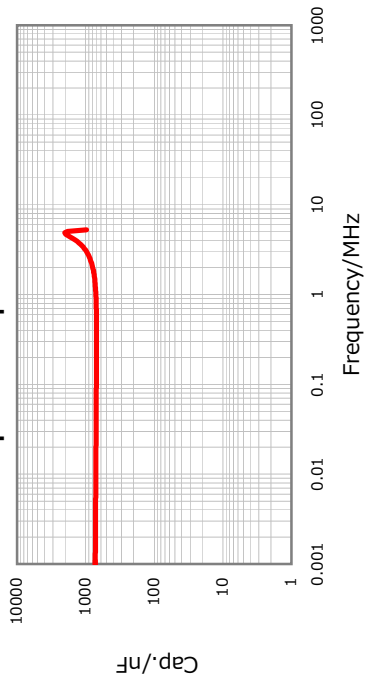
|Z|, ESR vs. Freq. Characteristics



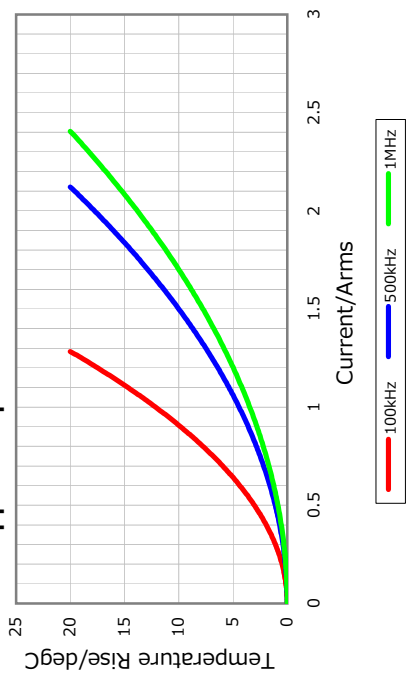
Temperature Characteristics



Cap. vs. Freq. Characteristic



Ripple Temperature Rise Characteristics



All specifications are subject to change without notice.

January 4, 2016

