

CGA4J3X7R1E105M125AD

TDK Item Description : CGA4J3X7R1E105MT***B

Equivalent C2012X7R1E105M for Automotive

Application & Main Feature

Automotive Grade (Conductive Epoxy Application)

Series

CGA4(2012) [EIA CC0805]

Dimensions

L	2.00mm	+/-0.25mm
W	1.25mm	+/-0.25mm
T	1.25mm	+/-0.25mm
B	0.20mm	Min.
G	0.50mm	Min.

Temperature Characteristic

X7R (-55 to 125 degC +/-15%)

Rated Voltage

1E (25Vdc)

Capacitance

1uF

Capacitance Tolerance

M (+/-20%)

Dissipation Factor

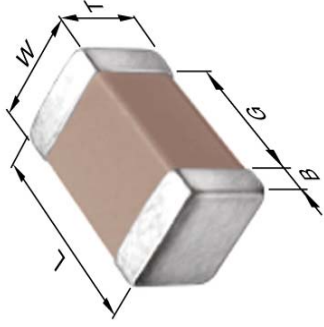
5% Max.

Insulation Resistance

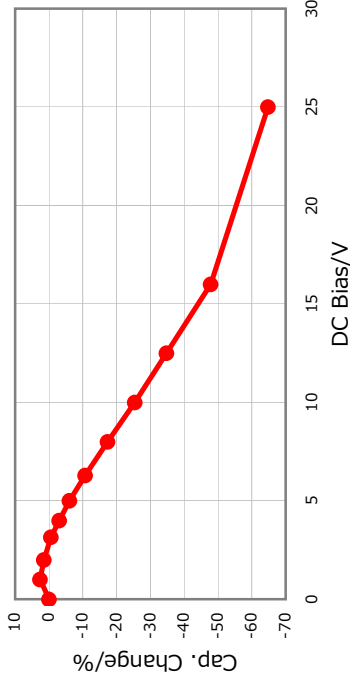
500Mohm Min.

AEC-Q200

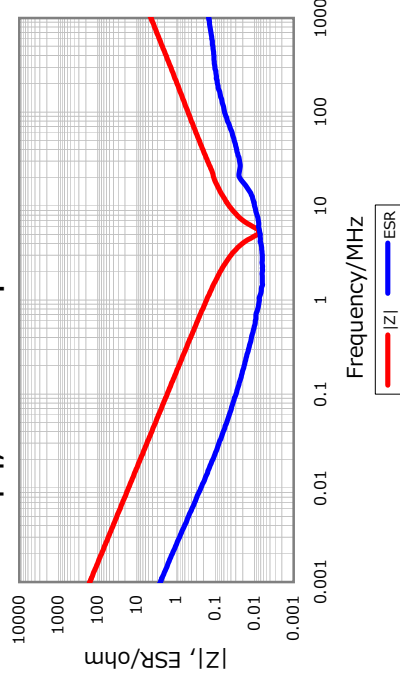
Yes



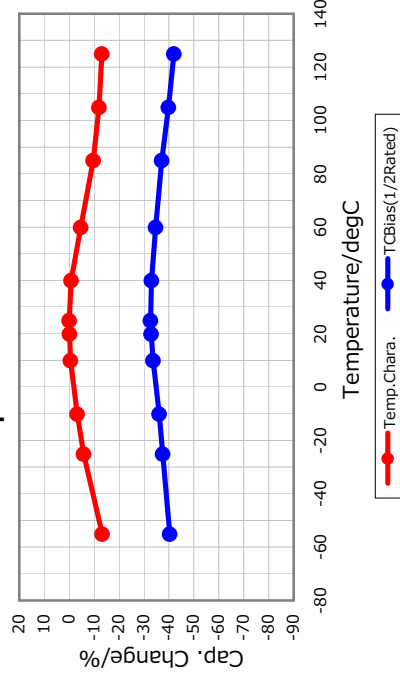
DC Bias Characteristic



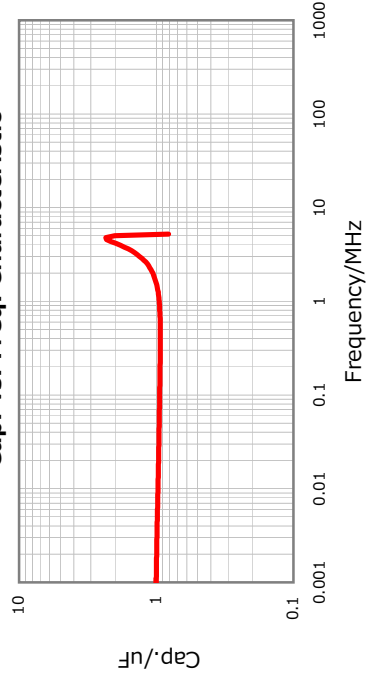
|Z|, ESR vs. Freq. Characteristics



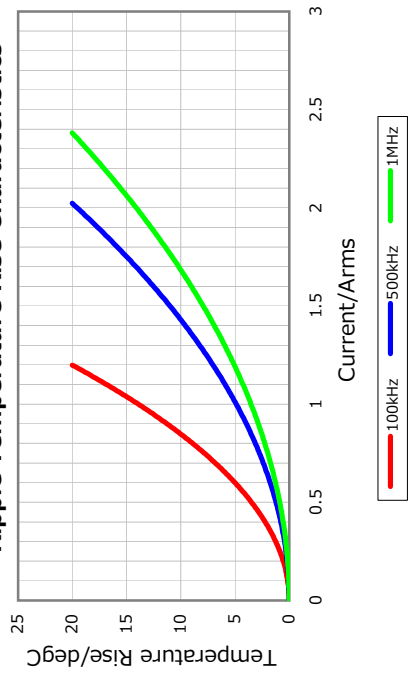
Temperature Characteristics



Cap. vs. Freq. Characteristic



Ripple Temperature Rise Characteristics



All specifications are subject to change without notice.

January 4, 2016

