

# C1005X7S2A332K050BB

TDK Item Description : C1005X7S2A332KT\*\*\*\*

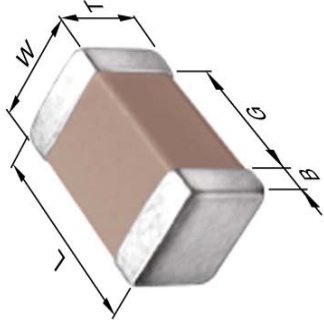


## Application & Main Feature

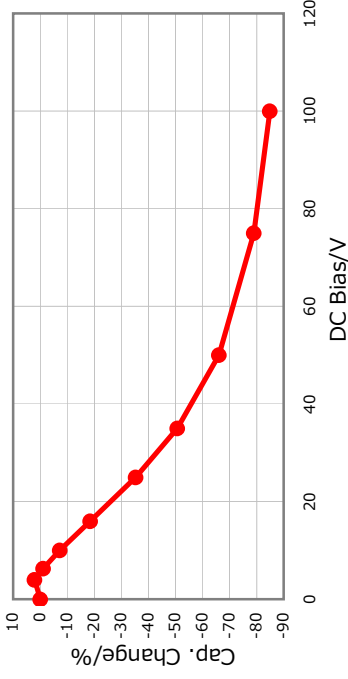
Commercial Grade ( Mid Voltage (100 to 630V) )

## Series

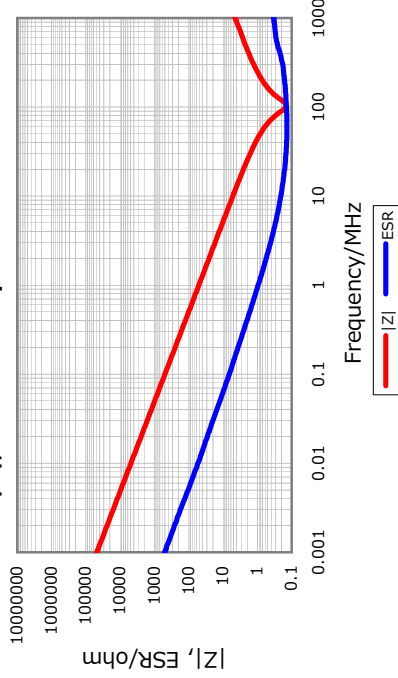
C1005 [EIA CC0402]



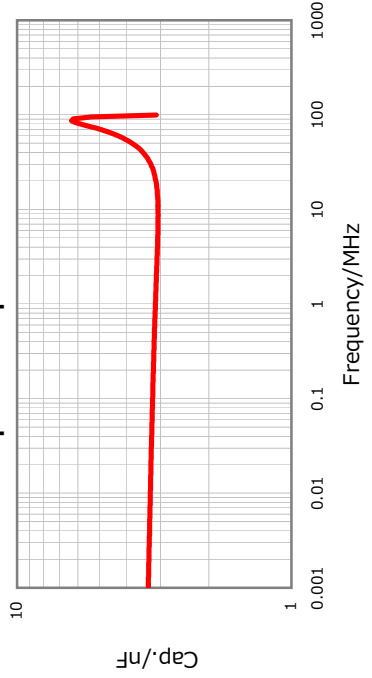
## DC Bias Characteristic



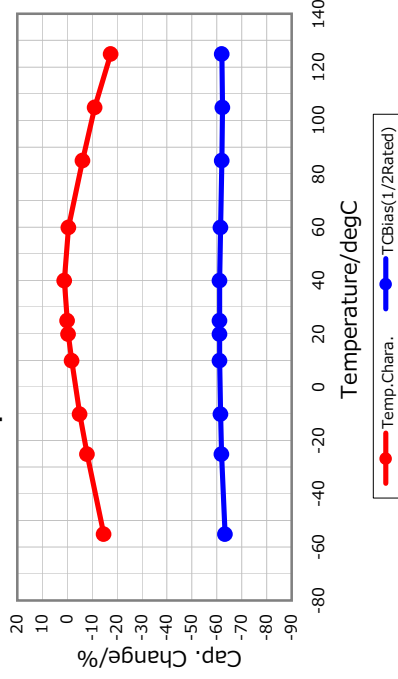
## |Z|, ESR vs. Freq. Characteristics



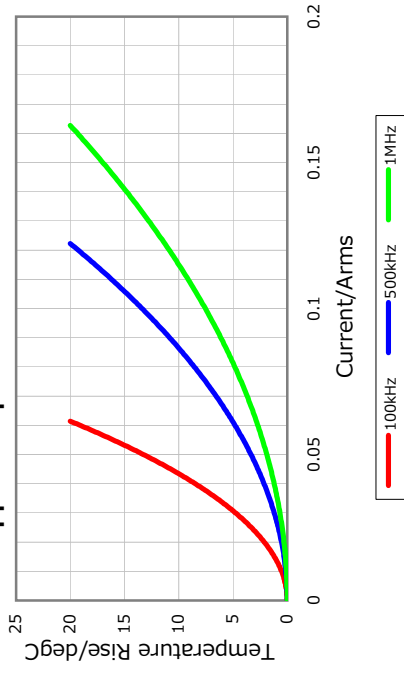
## Cap. vs. Freq. Characteristic



## Temperature Characteristics



## Ripple Temperature Rise Characteristics



## Dimensions

- L 1.00mm +/-0.05mm
- W 0.50mm +/-0.05mm
- T 0.50mm +/-0.05mm
- B 0.10mm Min.
- G 0.30mm Min.

## Temperature Characteristic

X7S (-55 to 125 degC +/-22%)

## Rated Voltage

2A (100Vdc)

## Capacitance

3.3nF

## Capacitance Tolerance

K (+/-10%)

## Dissipation Factor

5% Max.

## Insulation Resistance

10Gohm Min.

## AEC-Q200

Not Applicable



All specifications are subject to change without notice.

January 3, 2016