

CGJ2B3X7R1H473K050BB

TDK Item Description : CGJ2B3X7R1H473KT*****

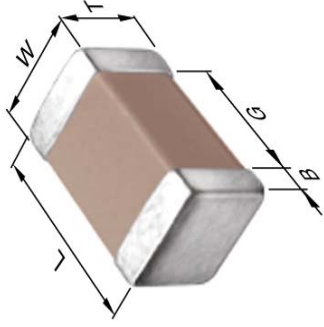


Application & Main Feature

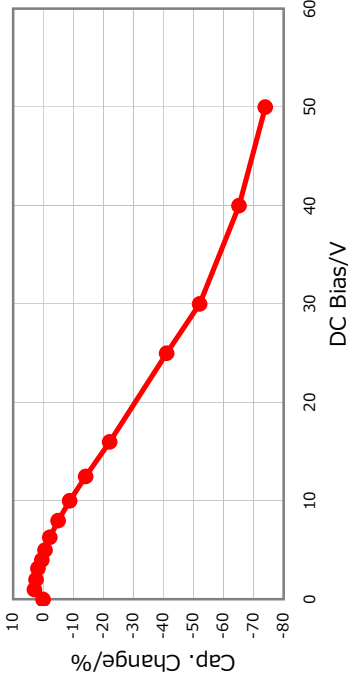
High Reliability Grade (General (Up to 50V))

Series

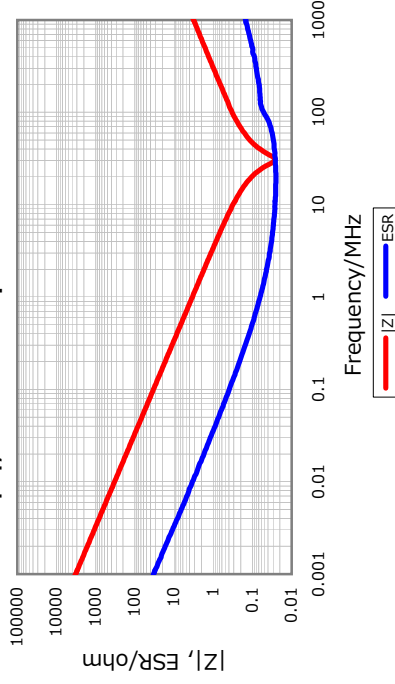
CGJ2(1005) [EIA CC0402]



DC Bias Characteristic



|Z|, ESR vs. Freq. Characteristics



Temperature Characteristic

X7R (-55 to 125 degC +/-15%)

Rated Voltage

1H (50Vdc)

Capacitance

47nF

Capacitance Tolerance

K (+/-10%)

Dissipation Factor

5% Max.

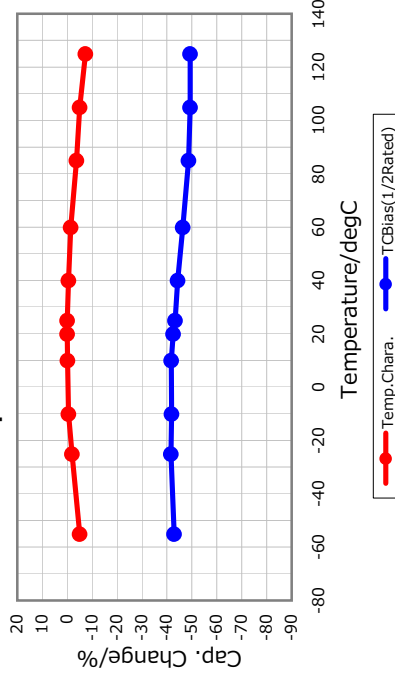
Insulation Resistance

10Gohm Min.

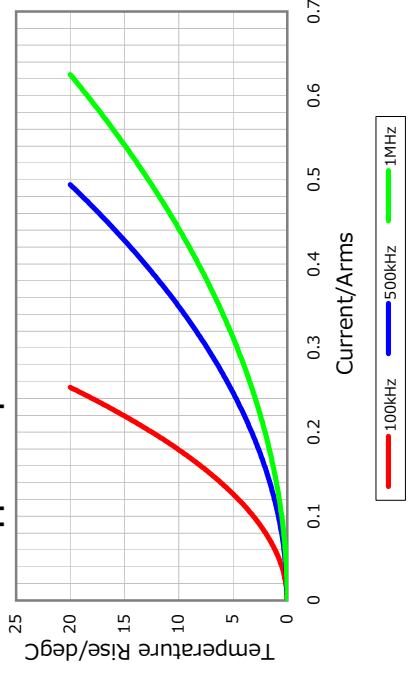
AEC-Q200

Yes

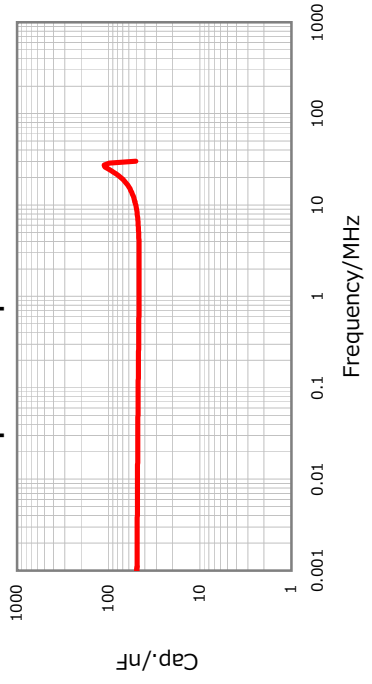
Temperature Characteristics



Ripple Temperature Rise Characteristics



Cap. vs. Freq. Characteristic



All specifications are subject to change without notice.

January 4, 2016