

CGJ5L4C0G2H103J160AA

TDK Item Description : CGJ5L4C0G2H103JT****

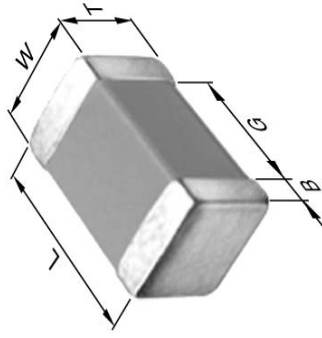


Application & Main Feature

High Reliability Grade (Mid Voltage (100 to 630V))

Series

CGJ5(3216) [EIA CC1206]



Dimensions

L	3.20mm	+/-0.2mm
W	1.60mm	+/-0.2mm
T	1.60mm	+/-0.2mm
B	0.20mm	Min.
G	1.00mm	Min.

Temperature Characteristic

C0G (-55 to 125 degC 0+/-30ppm/degC)

Rated Voltage

2H (500Vdc)

Capacitance

10nF

Capacitance Tolerance

J (+/-5%)

Q Factor

1000 Min.

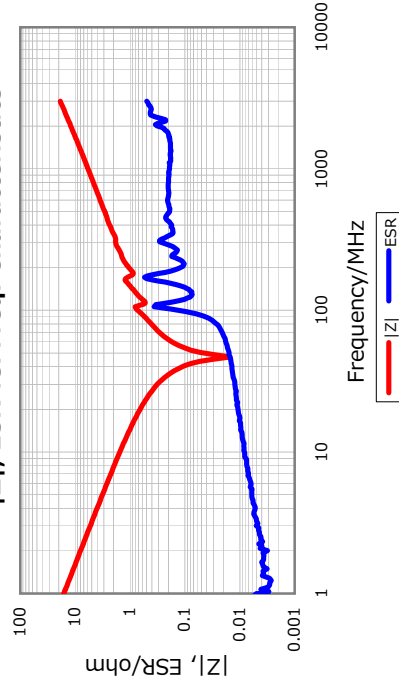
Insulation Resistance

10Gohm Min.

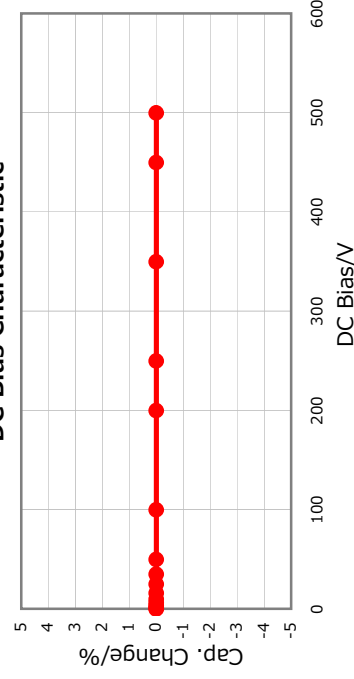
AEC-Q200

Yes

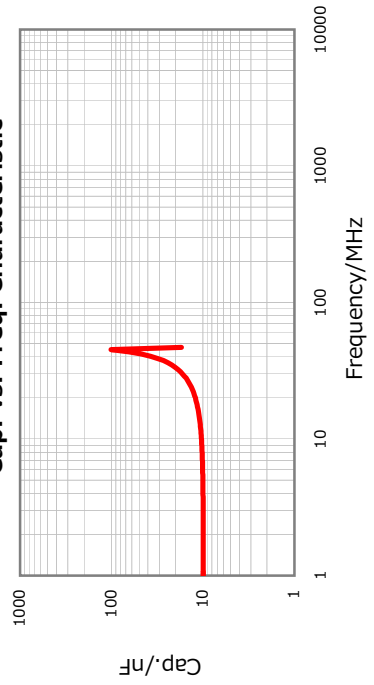
|Z|, ESR vs. Freq. Characteristics



DC Bias Characteristic



Cap. vs. Freq. Characteristic



Temperature Characteristics

