

# CGA6N3X7R2A225M230AB

TDK Item Description : CGA6N3X7R2A225MT\*\*\*\*\*



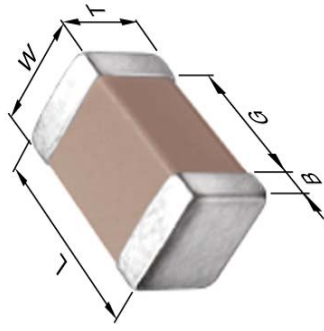
Equivalent C3225X7R2A225M for Automotive

## Application & Main Feature

Automotive Grade ( Mid Voltage (100 to 630V) )

## Series

CGA6(3225) [EIA CC1210]



## Dimensions

L	3.20mm	+/-0.4mm
W	2.50mm	+/-0.3mm
T	2.30mm	+/-0.2mm
B	0.20mm Min.	
G		

## Temperature Characteristic

X7R (-55 to 125 degC +/-15%)

## Rated Voltage

2A (100Vdc)

## Capacitance

2.2uF

## Capacitance Tolerance

M (+/-20%)

## Dissipation Factor

3% Max.

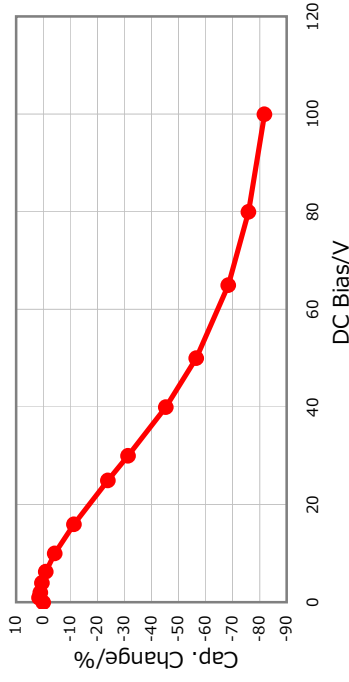
## Insulation Resistance

227Mohm Min.

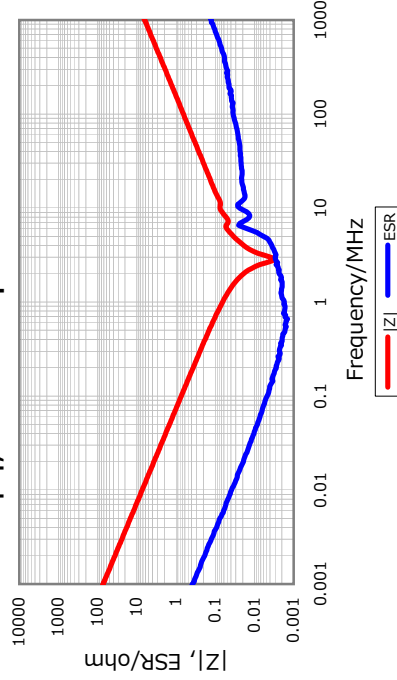
## AEC-Q200

Yes

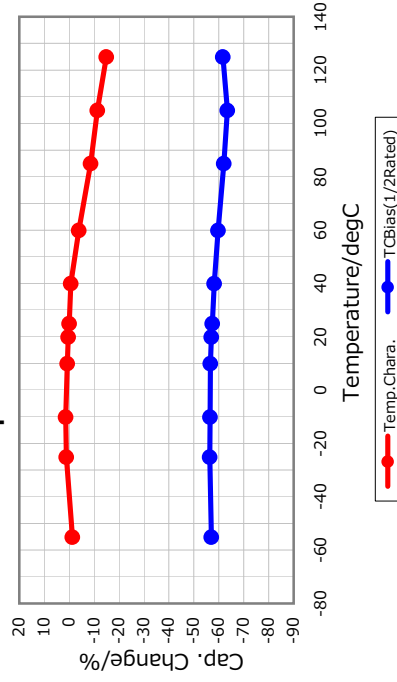
## DC Bias Characteristic



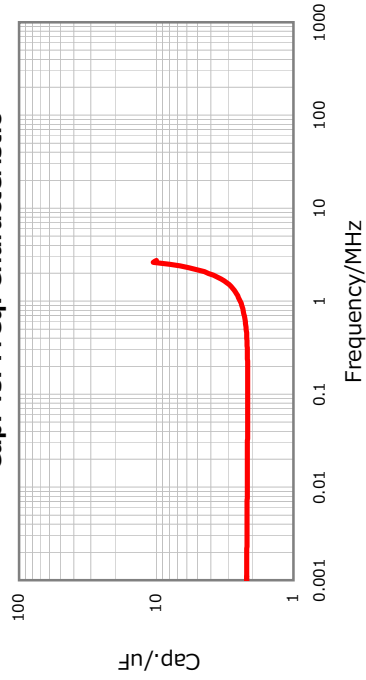
## |Z|, ESR vs. Freq. Characteristics



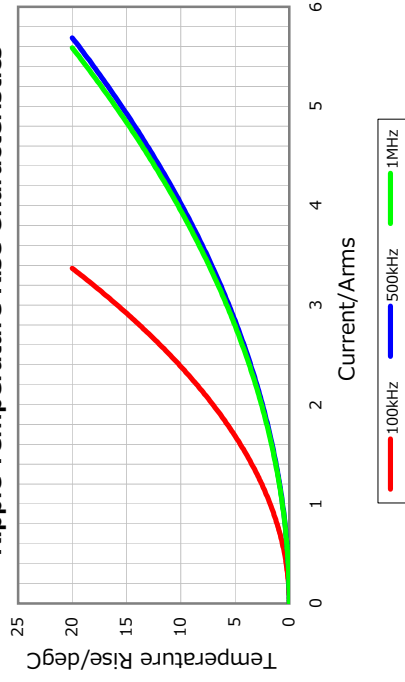
## Temperature Characteristics



## Cap. vs. Freq. Characteristic



## Ripple Temperature Rise Characteristics



All specifications are subject to change without notice.

January 4, 2016