

C2012JB2A682K085AA

TDK Item Description : C2012JB2A682KT****

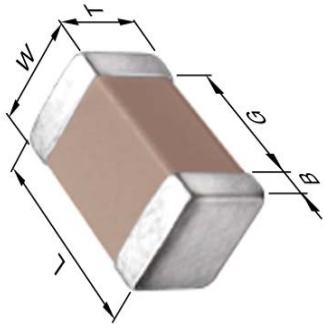


Application & Main Feature

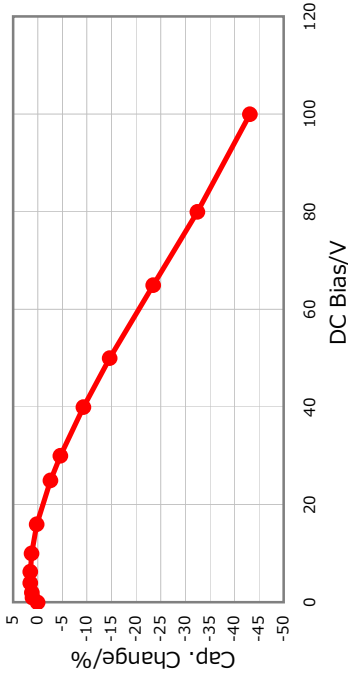
Commercial Grade (Mid Voltage (100 to 630V))

Series

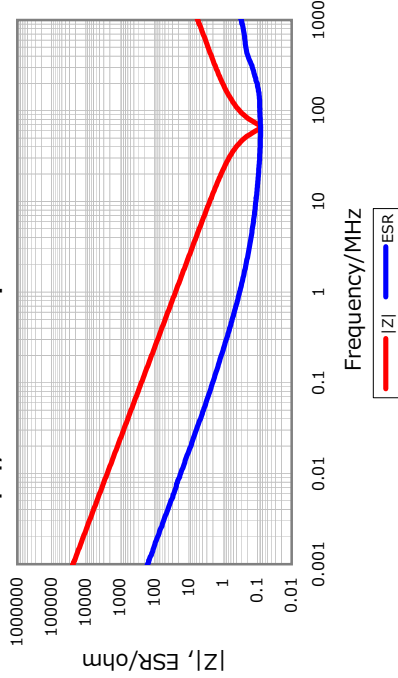
C2012 [EIA CC0805]



DC Bias Characteristic



|Z|, ESR vs. Freq. Characteristics



Temperature Characteristic

JB (-25 to 85 degC +/-10%)

Rated Voltage

2A (100Vdc)

Capacitance

6.8nF

Capacitance Tolerance

K (+/-10%)

Dissipation Factor

3% Max.

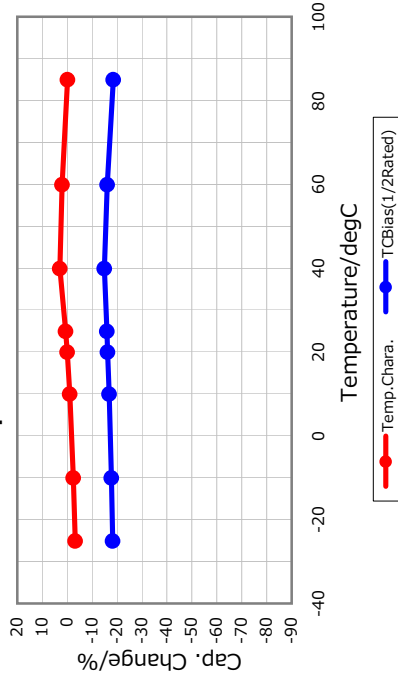
Insulation Resistance

10Gohm Min.

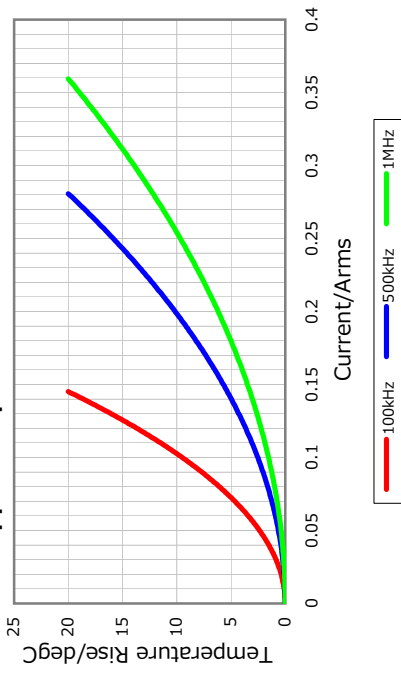
AEC-Q200

Not Applicable

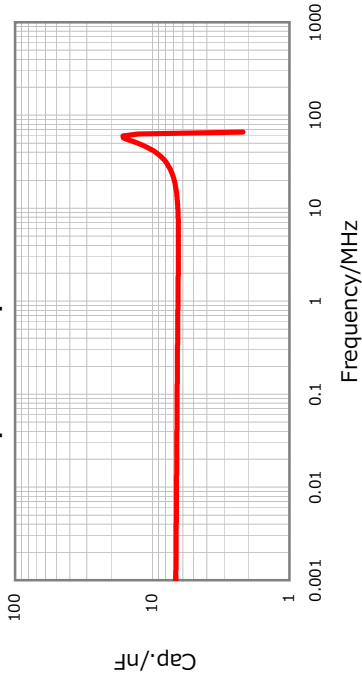
Temperature Characteristics



Ripple Temperature Rise Characteristics



Cap. vs. Freq. Characteristic



All specifications are subject to change without notice.

January 3, 2016