

# C4532X7R2A684K230KM

TDK Item Description : C4532X7R2A684KT5\*\*\*

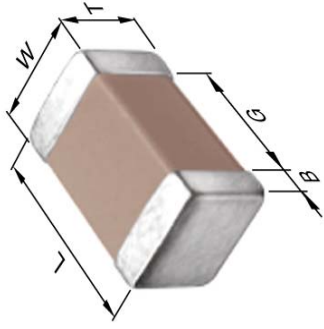


## Application & Main Feature

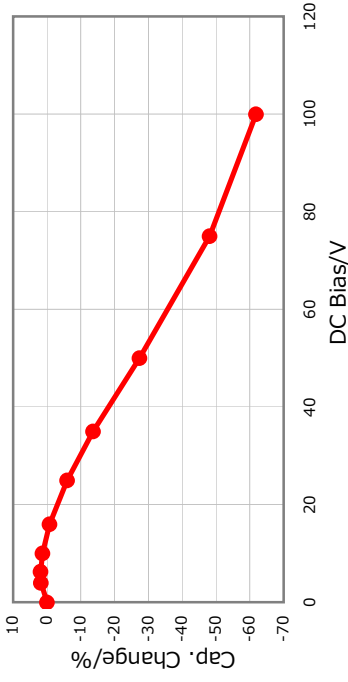
Commercial Grade ( Open Mode )

## Series

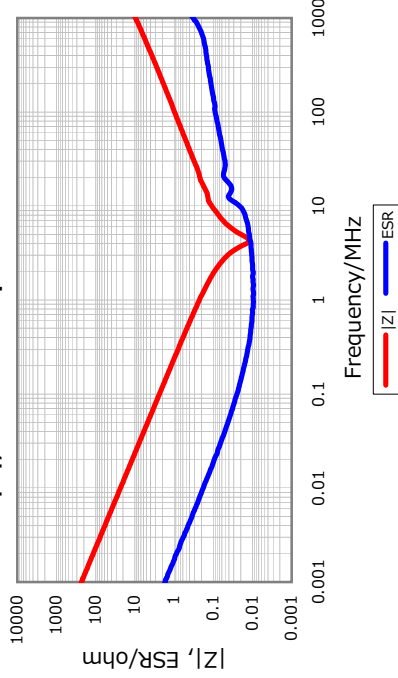
C4532 [EIA CC1812]



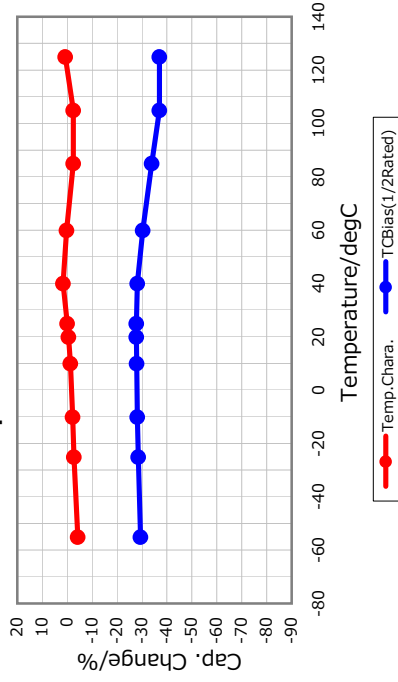
## DC Bias Characteristic



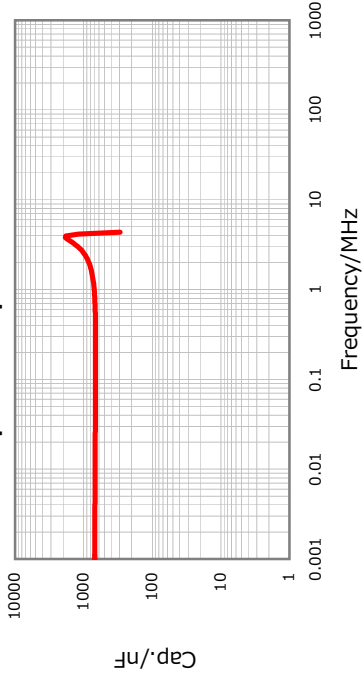
## |Z|, ESR vs. Freq. Characteristics



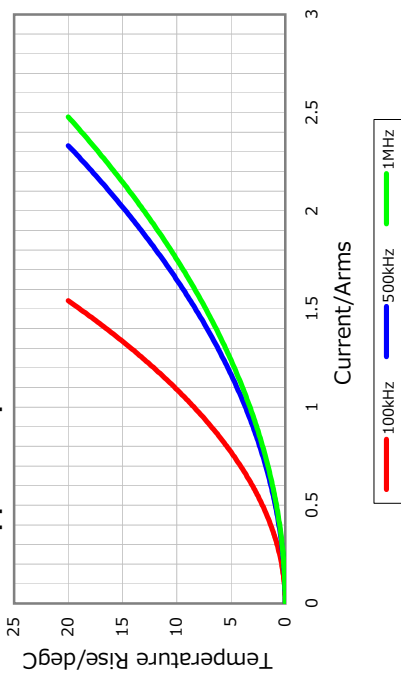
## Temperature Characteristics



## Cap. vs. Freq. Characteristic



## Ripple Temperature Rise Characteristics



## Dimensions

- L 4.50mm +/-0.4mm
- W 3.20mm +/-0.4mm
- T 2.30mm +/-0.2mm
- B 0.20mm Min.
- G

## Temperature Characteristic

X7R (-55 to 125 degC +/-15%)

## Rated Voltage

2A (100Vdc)

## Capacitance

680nF

## Capacitance Tolerance

K (+/-10%)

## Dissipation Factor

3% Max.

## Insulation Resistance

735Mohm Min.

## AEC-Q200

Not Applicable



All specifications are subject to change without notice.

January 4, 2016