

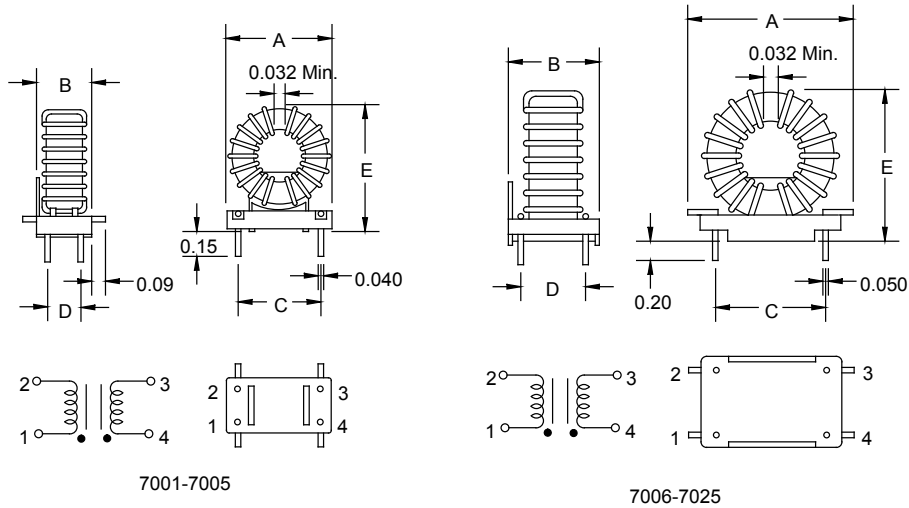
Dual-Line Toroid Inductors

Special Features

- Dual winding
- Low radiation
- High current capacity
- High inductance
- Dielectric strength 1000VRMS
- Mounted on VW-1 rated header
- Fixed pins for easy PCB insertion
- Operating temperature -55 to +105°C

7000 Series									
Part Number	L (μH) ±15% @ 1KHz	Idc (A)	L (μH) ±15% @ I rated	DCR Ω Max.	Dim. A Max.	Dim. B Max.	Dim. C ±0.015	Dim. D ±0.015	Dim. E Max.
7001	2.5	11.0	1.25	0.004	0.875	0.425	0.600	0.250	1.00
7002	6.0	5.50	3.0	0.007	0.875	0.425	0.600	0.250	1.00
7003	31.25	2.75	17.5	0.060	0.875	0.425	0.600	0.250	1.00
7004	68.75	2.00	37.5	0.120	0.875	0.425	0.600	0.250	1.00
7005	112.5	1.50	62.5	0.245	0.875	0.425	0.600	0.250	1.00
7006	6.25	9.00	3.75	0.006	1.125	0.600	0.800	0.400	1.25
7007	18.75	5.00	10	0.020	1.125	0.600	0.800	0.400	1.25
7008	100	2.25	56.25	0.165	1.125	0.600	0.800	0.400	1.25
7009	200	1.75	118.75	0.320	1.125	0.600	0.800	0.400	1.25
7010	250	1.50	143.75	0.470	1.125	0.600	0.800	0.400	1.25
7011	12.5	9.50	6.25	0.006	1.25	0.800	0.900	0.600	1.375
7012	37.5	4.75	21.25	0.023	1.25	0.800	0.900	0.600	1.375
7013	175	2.25	100	0.210	1.25	0.800	0.900	0.600	1.375
7014	312.5	1.75	187.5	0.430	1.25	0.800	0.900	0.600	1.375
7015	400	1.50	237.5	0.640	1.25	0.800	0.900	0.600	1.375
7016	31.25	7.75	16.25	0.016	1.812	0.900	1.20	0.700	1.95
7017	125	4.00	68.75	0.075	1.812	0.900	1.20	0.700	1.95
7018	275	2.50	162.5	0.165	1.812	0.900	1.20	0.700	1.95
7019	562.5	1.75	281.25	0.460	1.812	0.900	1.20	0.700	1.95
7020	1125	1.25	562.5	1.320	1.812	0.900	1.20	0.700	1.95
7021	62.5	8.00	31.75	0.021	2.125	1.10	1.50	0.900	2.25
7022	225	3.75	125	0.088	2.125	1.10	1.50	0.900	2.25
7023	450	2.50	250	0.240	2.125	1.10	1.50	0.900	2.25
7024	1000	1.75	525	0.580	2.125	1.10	1.50	0.900	2.25
7025	2000	1.00	1125	1.670	2.125	1.10	1.50	0.900	2.25

Also available as RoHS compliant.



Dimensions: Inches

J.W. Miller
MAGNETICS

306 E. Alondra Blvd. Gardena, CA 90247-1059 • Phone (310) 515-1720 • FAX (310) 515-1962

www.jwmiller.com