

C1608X8R2A103M080AA

TDK Item Description : C1608X8R2A103MT****

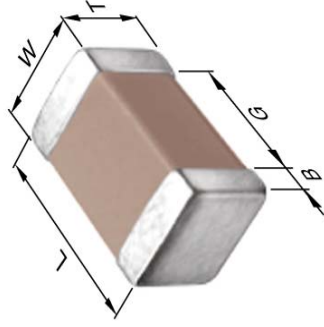


Application & Main Feature

Commercial Grade (High Temperature Application)

Series

C1608 [EIA CC0603]



Dimensions

| | | |
|---|--------|----------|
| L | 1.60mm | +/-0.1mm |
| W | 0.80mm | +/-0.1mm |
| T | 0.80mm | +/-0.1mm |
| B | 0.20mm | Min. |
| G | 0.30mm | Min. |

Temperature Characteristic

X8R (-55 to 150 degC +/-15%)

Rated Voltage

2A (100Vdc)

Capacitance

10nF

Capacitance Tolerance

M (+/-20%)

Dissipation Factor

3% Max.

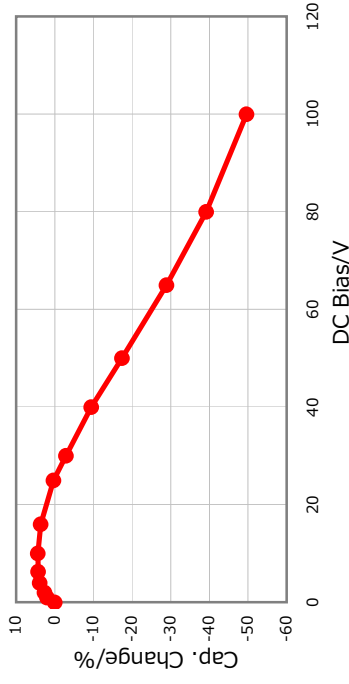
Insulation Resistance

10Gohm Min.

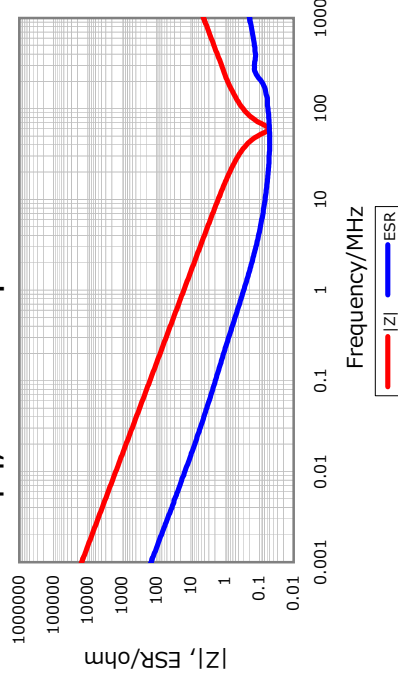
AEC-Q200

Not Applicable

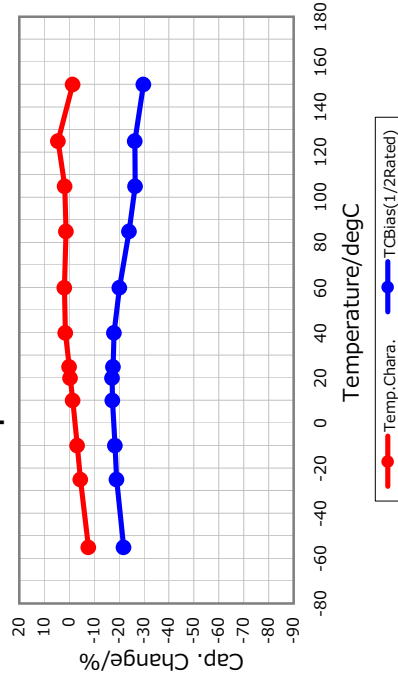
DC Bias Characteristic



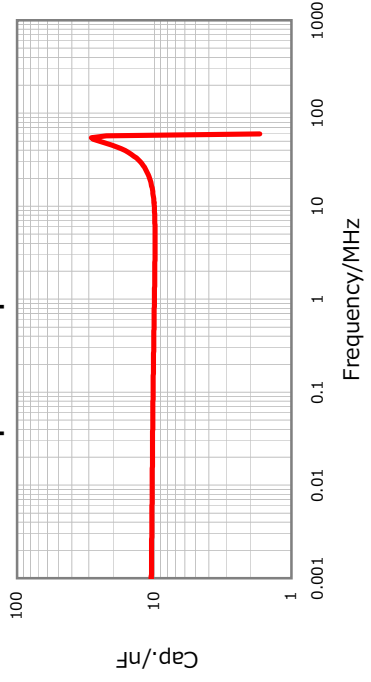
|Z|, ESR vs. Freq. Characteristics



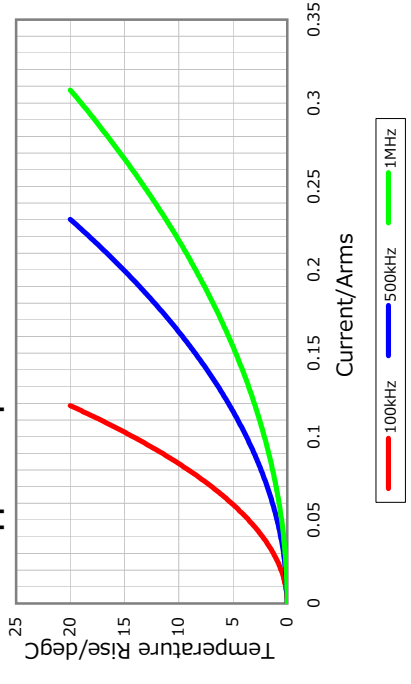
Temperature Characteristics



Cap. vs. Freq. Characteristic



Ripple Temperature Rise Characteristics



All specifications are subject to change without notice.

January 3, 2016