

# CGA5L3X8R2A224K160AB

TDK Item Description : CGA5L3X8R2A224KT\*\*\*\*\*



## Application & Main Feature

Automotive Grade ( High Temperature Application )

## Series

CGA5(3216) [EIA CC1206]

### Dimensions

L	3.20mm	+/-0.2mm
W	1.60mm	+/-0.2mm
T	1.60mm	+/-0.2mm
B	0.20mm	Min.
G	1.00mm	Min.

### Temperature Characteristic

X8R (-55 to 150 degC +/-15%)

### Rated Voltage

2A (100Vdc)

### Capacitance

220nF

### Capacitance Tolerance

K (+/-10%)

### Dissipation Factor

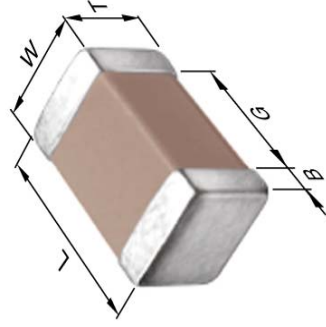
3% Max.

### Insulation Resistance

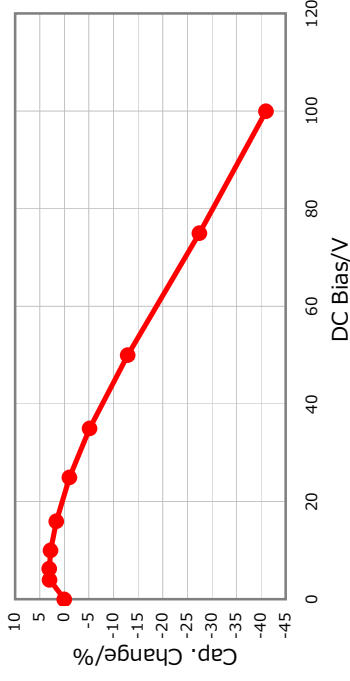
2.27Gohm Min.

### AEC-Q200

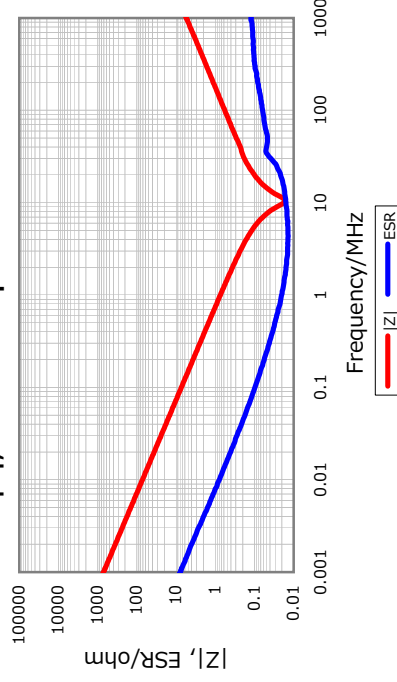
Yes



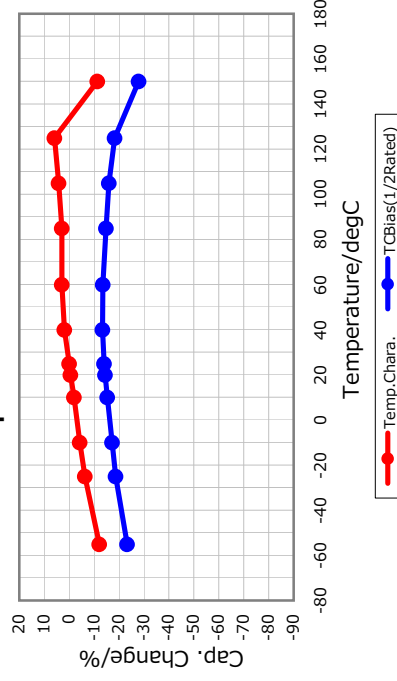
### DC Bias Characteristic



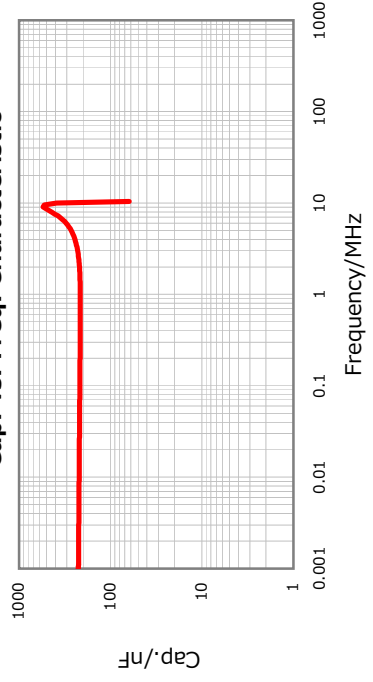
### |Z|, ESR vs. Freq. Characteristics



### Temperature Characteristics



### Cap. vs. Freq. Characteristic



### Ripple Temperature Rise Characteristics

