

# CGJ2B2X7R1C473K050BA

TDK Item Description : CGJ2B2X7R1C473KT\*\*\*\*

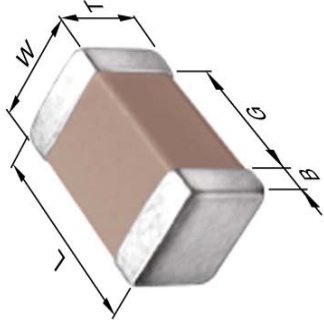


## Application & Main Feature

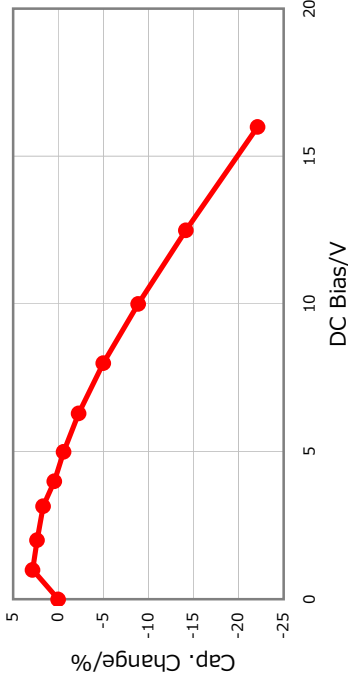
High Reliability Grade ( General (Up to 50V) )

## Series

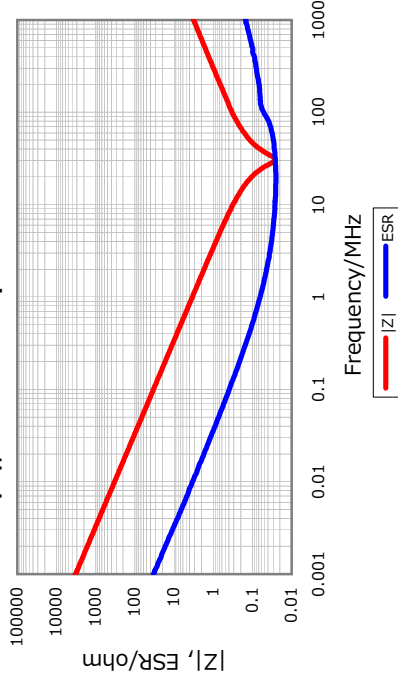
CGJ2(1005) [EIA CC0402]



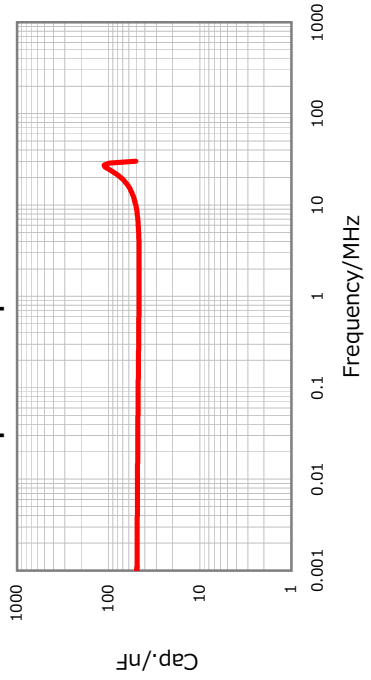
## DC Bias Characteristic



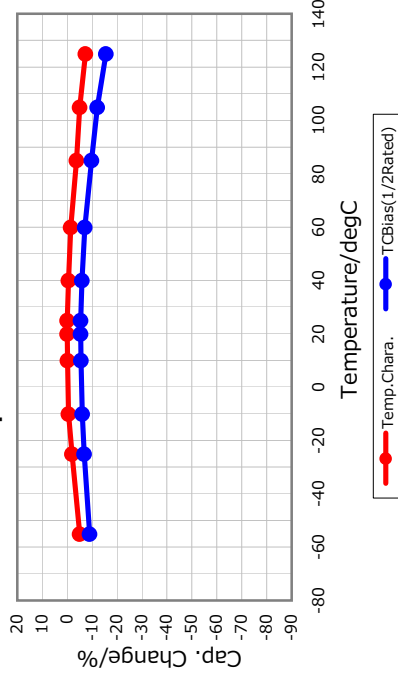
## |Z|, ESR vs. Freq. Characteristics



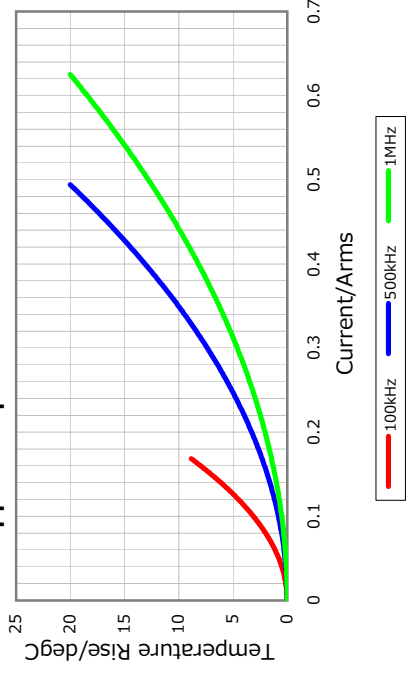
## Cap. vs. Freq. Characteristic



## Temperature Characteristics



## Ripple Temperature Rise Characteristics



## Temperature Characteristic

X7R (-55 to 125 degC +/-15%)

## Rated Voltage

1C (16Vdc)

## Capacitance

47nF

## Capacitance Tolerance

K (+/-10%)

## Dissipation Factor

5% Max.

## Insulation Resistance

2.13Gohm Min.

## AEC-Q200

Yes



All specifications are subject to change without notice.

January 4, 2016