

CGA8L3X7T2E684M160KA

TDK Item Description : CGA8L3X7T2E684MT*****

Equivalent C4532X7T2E684M for Automotive

Application & Main Feature

Automotive Grade (Mid Voltage (100 to 630V))

Series

CGA8(4532) [EIA CC1812]

Dimensions

L	4.50mm	+/-0.4mm
W	3.20mm	+/-0.4mm
T	1.60mm	+/-0.2mm
B	0.20mm Min.	
G		

Temperature Characteristic

X7T (-55 to 125 degC +22,-33%)

Rated Voltage

2E (250Vdc)

Capacitance

680nF

Capacitance Tolerance

M (+/-20%)

Dissipation Factor

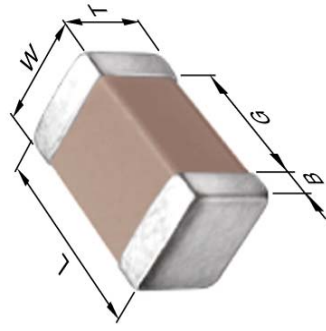
2.5% Max.

Insulation Resistance

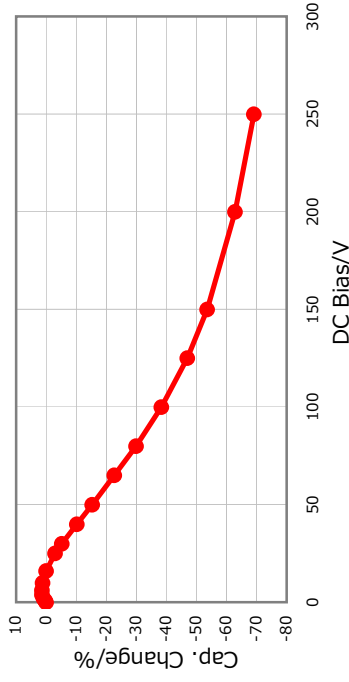
735Mohm Min.

AEC-Q200

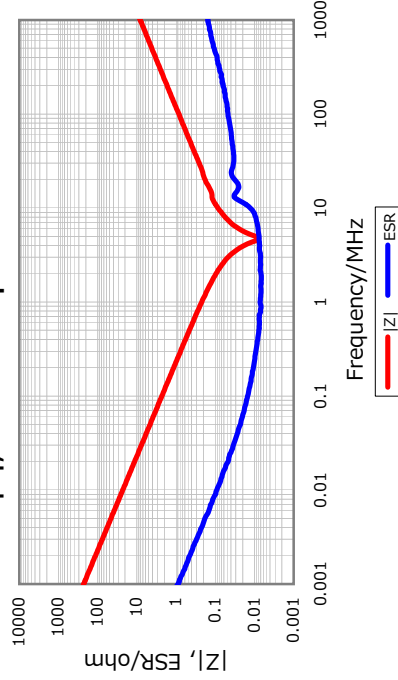
Yes



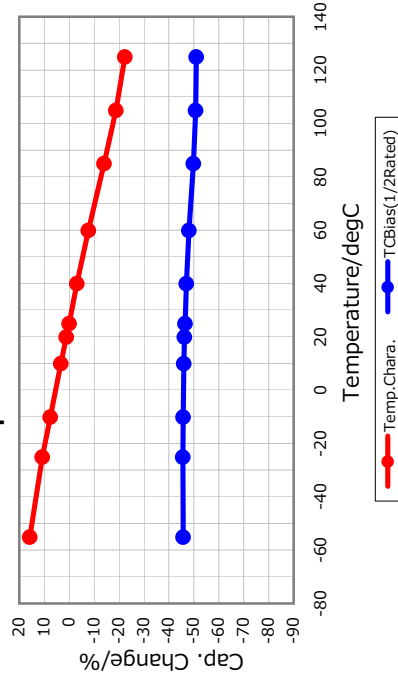
DC Bias Characteristic



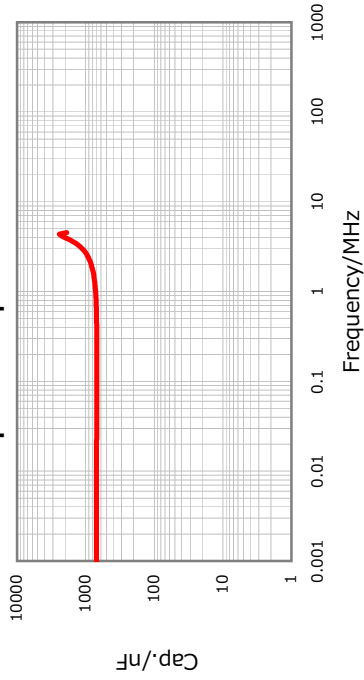
|Z|, ESR vs. Freq. Characteristics



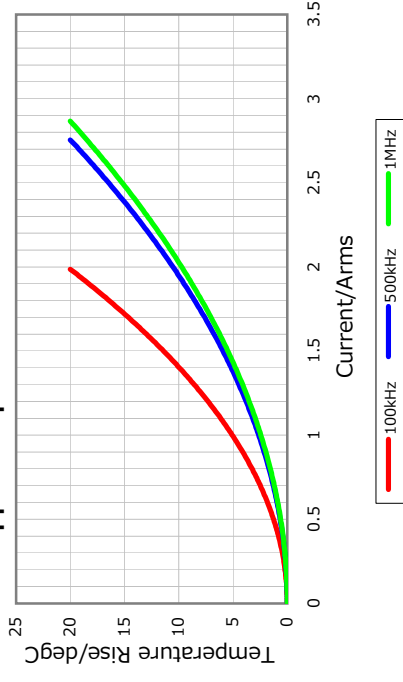
Temperature Characteristics



Cap. vs. Freq. Characteristic



Ripple Temperature Rise Characteristics



All specifications are subject to change without notice.

January 4, 2016

