

LQH43NH3R3J03#

“#” indicates a package specification code.

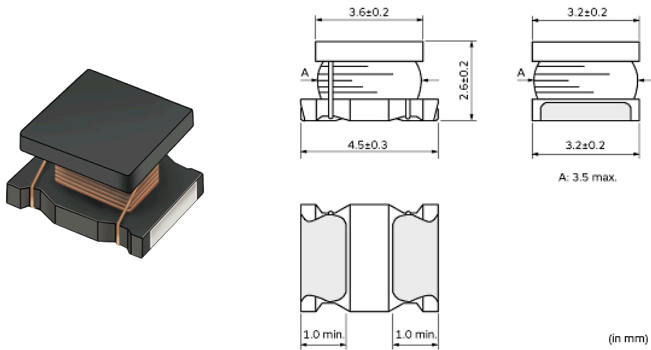
It can be used in 125 °C environment.



< List of part numbers with package codes >

LQH43NH3R3J03K LQH43NH3R3J03L

Appearance & Shape



References

Packaging	Specifications	Standard Packing Quantity
K	330Embossed Tape	2500
L	180Embossed Tape	500

Mass (typ.)	
1 piece	0.13g

Notices

When rated current is applied to the products, self-temperature rise shall be limited to 20°C max and inductance will be within ±10% of nominal value.

Attention

- 1.This datasheet is downloaded from the website of Murata Manufacturing Co., Ltd. Therefore, it's specifications are subject to change or our products in it may be discontinued without advance notice. Please check with our sales representatives or product engineers before ordering.
- 2.This datasheet has only typical specifications because there is no space for detailed specifications. Therefore, please review our product specifications or consult the approval sheet for product specifications before ordering.

LQH43NH3R3J03#

“#” indicates a package specification code.



Specifications

L size	4.5±0.3mm
W size	3.2±0.2mm
T size	2.6±0.2mm
Size code inch (mm)	1812 (4532)
Inductance	3.3μH±5%
Inductance Test Frequency	1MHz
Rated current (Itemp) (Based on Temperature rise)	800mA
Max. of DC resistance	0.0924Ω
Class of magnetic shield	No Shield
Q(min.)	20
Q Test Frequency	1MHz
Self resonance frequency (min.)	47MHz
Brand	Murata
DC Resistance Intermediate Values	0.077Ω±20%
Operating Temperature Range	-40°C to 125°C
Series	LQH43NH_03

Attention

1.This datasheet is downloaded from the website of Murata Manufacturing Co., Ltd. Therefore, it's specifications are subject to change or our products in it may be discontinued without advance notice. Please check with our sales representatives or product engineers before ordering.

2.This datasheet has only typical specifications because there is no space for detailed specifications.

Therefore, please review our product specifications or consult the approval sheet for product specifications before ordering.

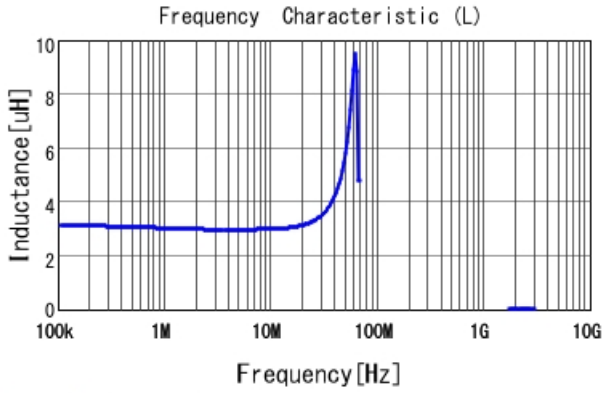
LQH43NH3R3J03#

“#” indicates a package specification code.

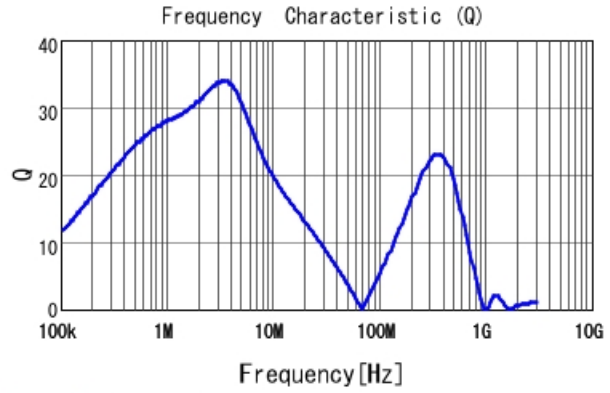


Characteristic Data

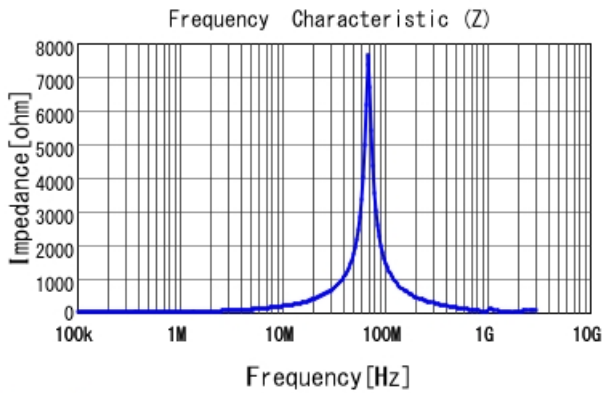
The charts below may show another part number which shares its characteristics.



LQH43NH3R3J03 L



LQH43NH3R3J03 Q



LQH43NH3R3J03 |Z|

Attention

- 1.This datasheet is downloaded from the website of Murata Manufacturing Co., Ltd. Therefore, it's specifications are subject to change or our products in it may be discontinued without advance notice. Please check with our sales representatives or product engineers before ordering.
- 2.This datasheet has only typical specifications because there is no space for detailed specifications. Therefore, please review our product specifications or consult the approval sheet for product specifications before ordering.