

C4532JB2J104K230KA

TDK Item Description : C4532JB2J104KT*****

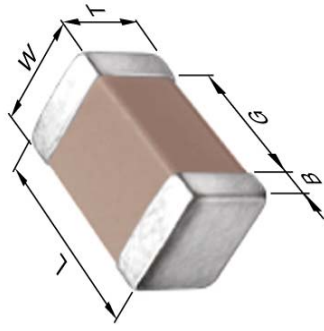


Application & Main Feature

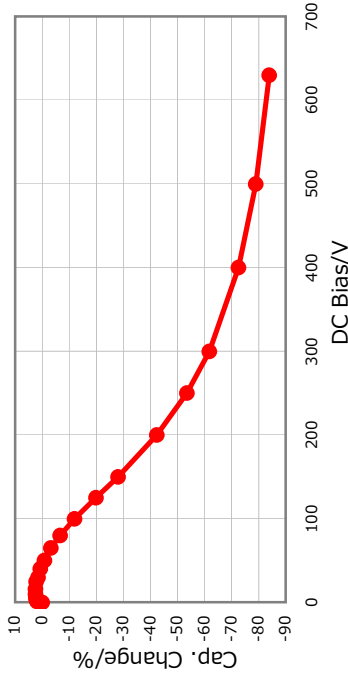
Commercial Grade (Mid Voltage (100 to 630V))

Series

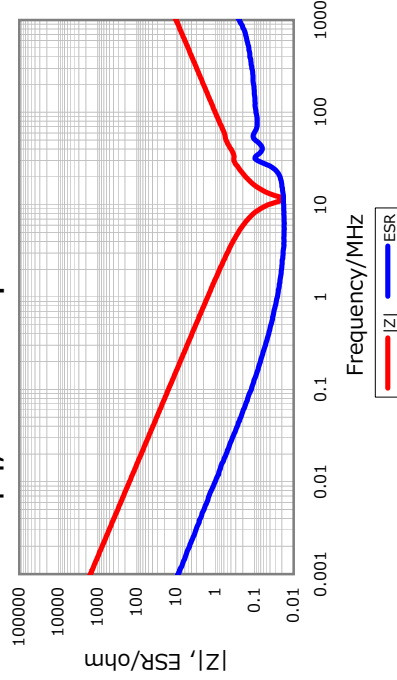
C4532 [EIA CC1812]



DC Bias Characteristic



|Z|, ESR vs. Freq. Characteristics



Temperature Characteristic

JB (-25 to 85 degC +/-10%)

Rated Voltage

2J (630Vdc)

Capacitance

100nF

Capacitance Tolerance

K (+/-10%)

Dissipation Factor

3% Max.

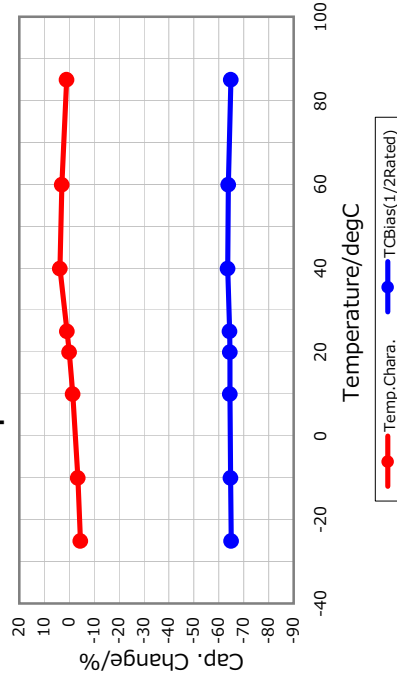
Insulation Resistance

5Gohm Min.

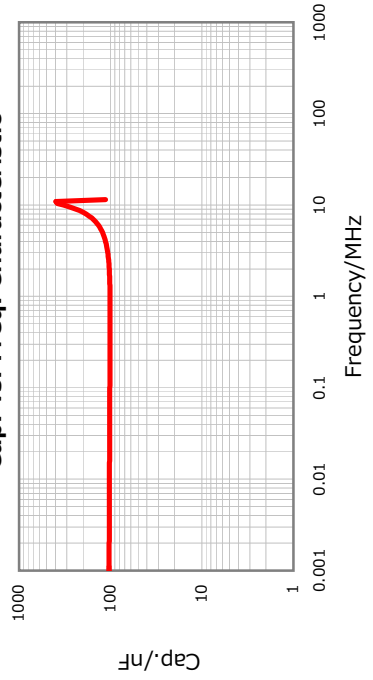
AEC-Q200

Not Applicable

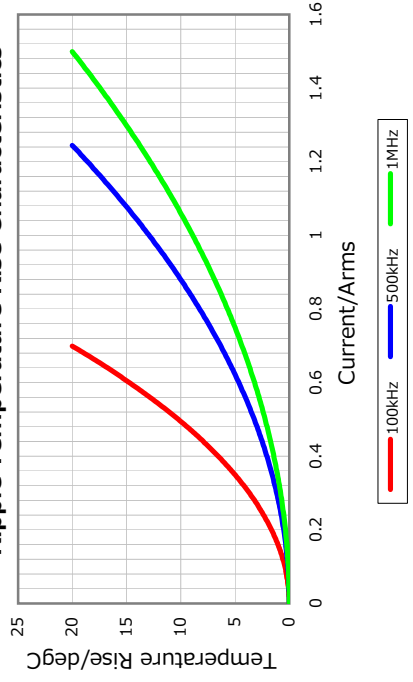
Temperature Characteristics



Cap. vs. Freq. Characteristic



Ripple Temperature Rise Characteristics



All specifications are subject to change without notice.

January 4, 2016