

# C3216JB2E683K160AA

TDK Item Description : C3216JB2E683KT\*\*\*

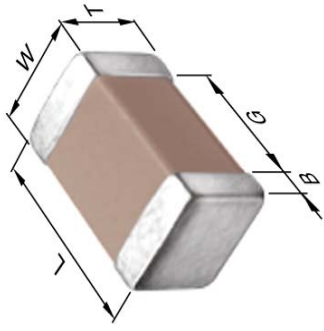


## Application & Main Feature

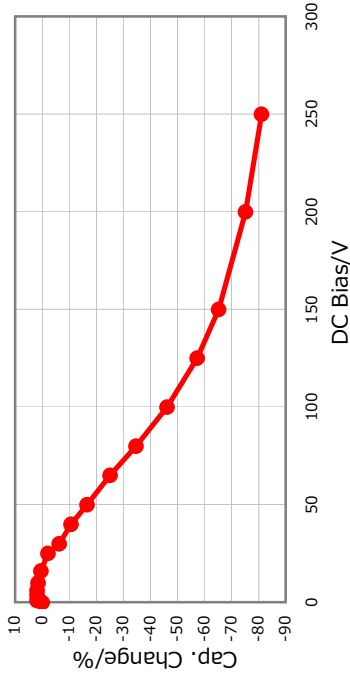
Commercial Grade ( Mid Voltage (100 to 630V) )

## Series

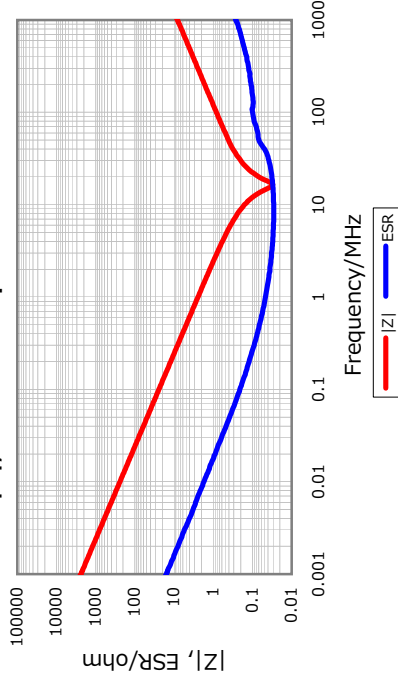
C3216 [EIA CC1206]



## DC Bias Characteristic



## |Z|, ESR vs. Freq. Characteristics



## Temperature Characteristic

JB (-25 to 85 degC +/-10%)

## Rated Voltage

2E (250Vdc)

## Capacitance

68nF

## Capacitance Tolerance

K (+/-10%)

## Dissipation Factor

3% Max.

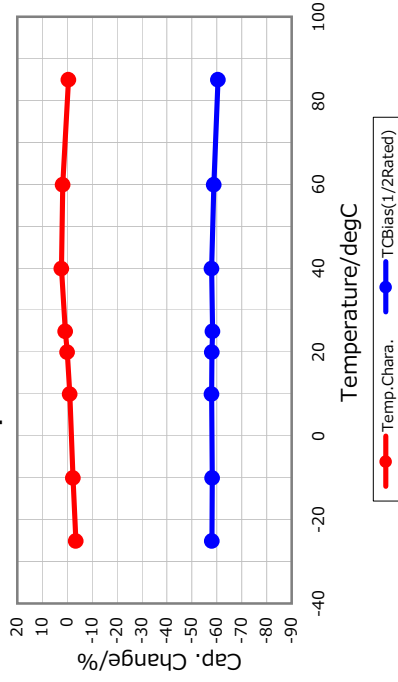
## Insulation Resistance

7.35Gohm Min.

## AEC-Q200

Not Applicable

## Temperature Characteristics



## Ripple Temperature Rise Characteristics

