

# C4532C0G2J103K160KA

TDK Item Description : C4532C0G2J103KT\*\*\*\*

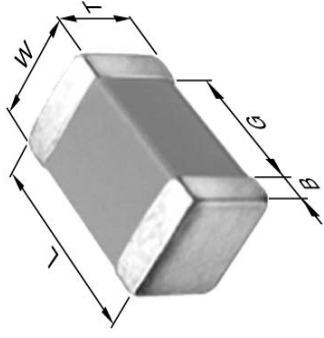


## Application & Main Feature

Commercial Grade ( Mid Voltage (100 to 630V) )

## Series

C4532 [EIA CC1812]



## Dimensions

L	4.50mm	+/-0.4mm
W	3.20mm	+/-0.4mm
T	1.60mm	+/-0.2mm
B	0.20mm Min.	
G		

## Temperature Characteristic

C0G (-55 to 125 degC 0+/-30ppm/degC)

## Rated Voltage

2J (630Vdc)

## Capacitance

10nF

## Capacitance Tolerance

K (+/-10%)

## Q Factor

1000 Min.

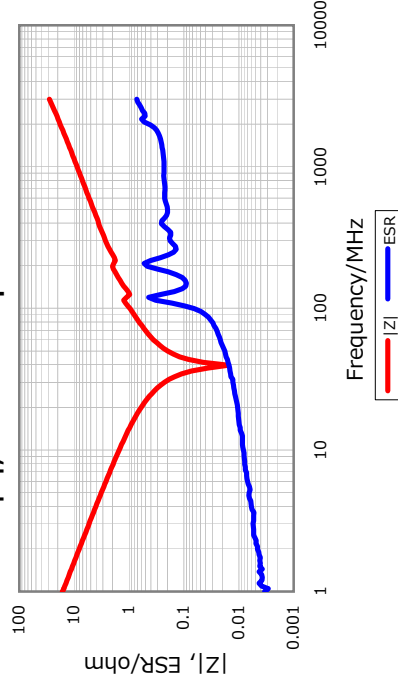
## Insulation Resistance

10Gohm Min.

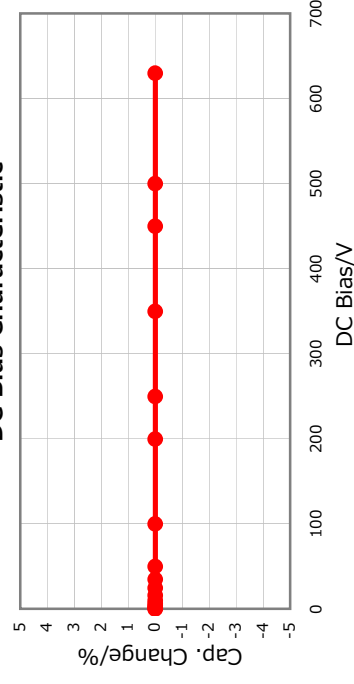
## AEC-Q200

Not Applicable

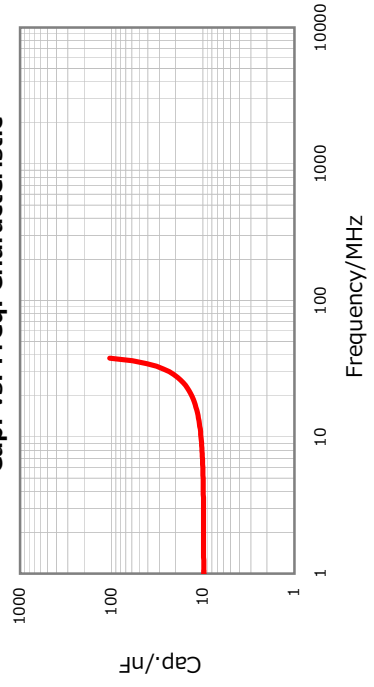
## |Z|, ESR vs. Freq. Characteristics



## DC Bias Characteristic



## Cap. vs. Freq. Characteristic



## Temperature Characteristics

