

# CGJ5H4X7T2H333K115AA

TDK Item Description : CGJ5H4X7T2H333KT\*\*\*\*\*

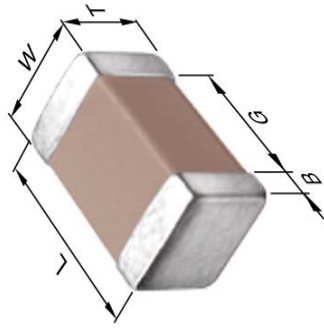


## Application & Main Feature

High Reliability Grade ( Mid Voltage (100 to 630V) )

## Series

CGJ5(3216) [EIA CC1206]



## Dimensions

L	3.20mm	+/-0.2mm
W	1.60mm	+/-0.2mm
T	1.15mm	+/-0.15mm
B	0.20mm	Min.
G	1.00mm	Min.

## Temperature Characteristic

X7T (-55 to 125 degC +22,-33%)

## Rated Voltage

2H (500Vdc)

## Capacitance

33nF

## Capacitance Tolerance

K (+/-10%)

## Dissipation Factor

2.5% Max.

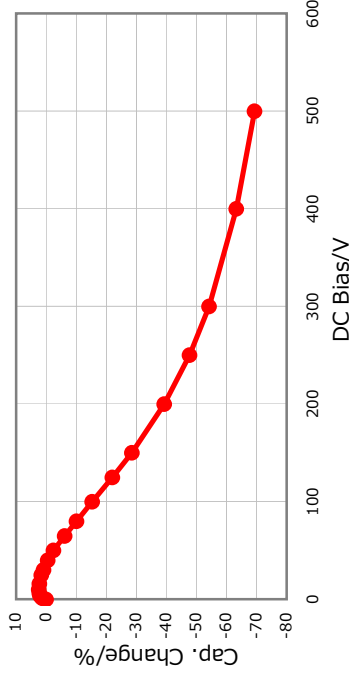
## Insulation Resistance

10Gohm Min.

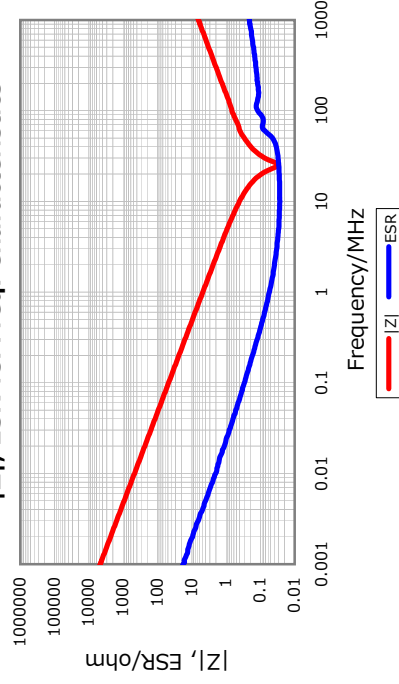
## AEC-Q200

Yes

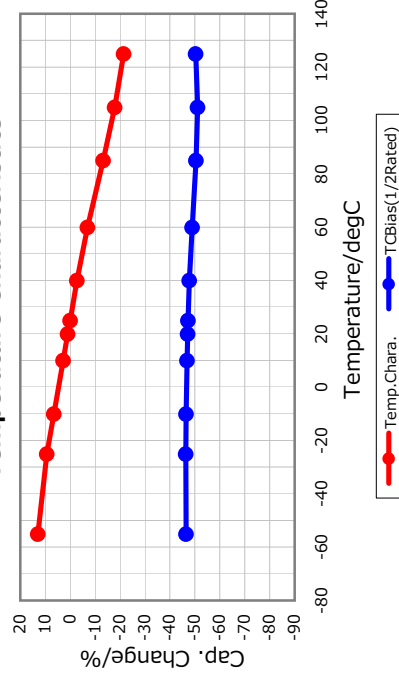
## DC Bias Characteristic



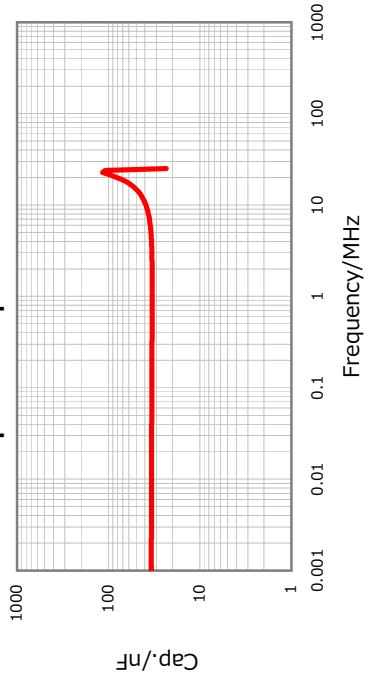
## |Z|, ESR vs. Freq. Characteristics



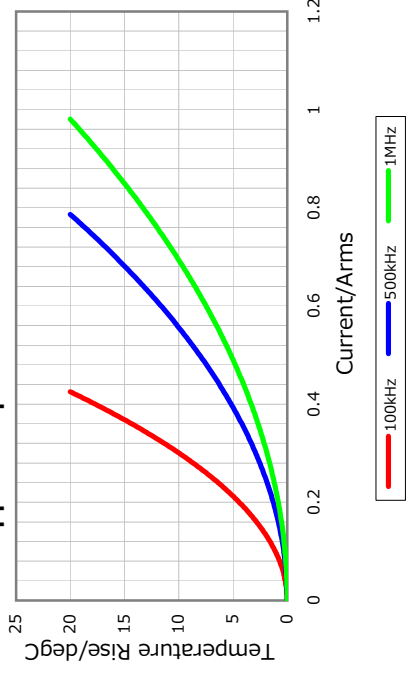
## Temperature Characteristics



## Cap. vs. Freq. Characteristic



## Ripple Temperature Rise Characteristics



All specifications are subject to change without notice.

January 4, 2016