

C2012X7R2E223M125AA

TDK Item Description : C2012X7R2E223MT****

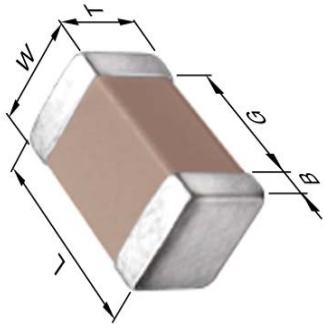


Application & Main Feature

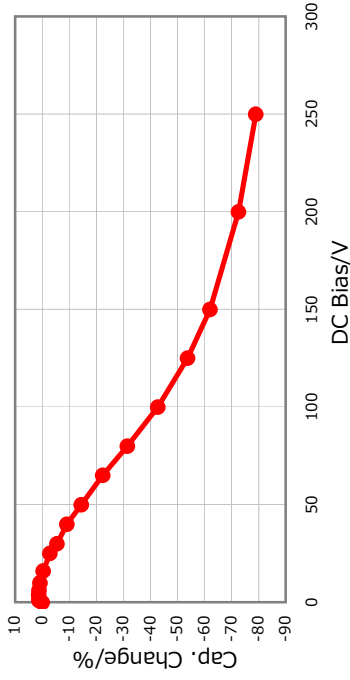
Commercial Grade (Mid Voltage (100 to 630V))

Series

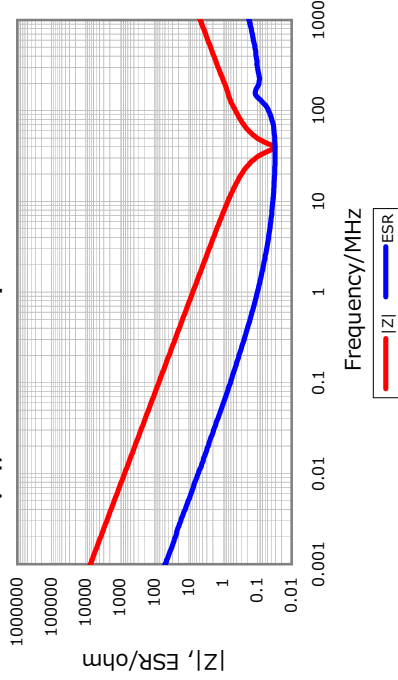
C2012 [EIA CC0805]



DC Bias Characteristic



|Z|, ESR vs. Freq. Characteristics



Temperature Characteristic

X7R (-55 to 125 degC +/-15%)

Rated Voltage

2E (250Vdc)

Capacitance

22nF

Capacitance Tolerance

M (+/-20%)

Dissipation Factor

3% Max.

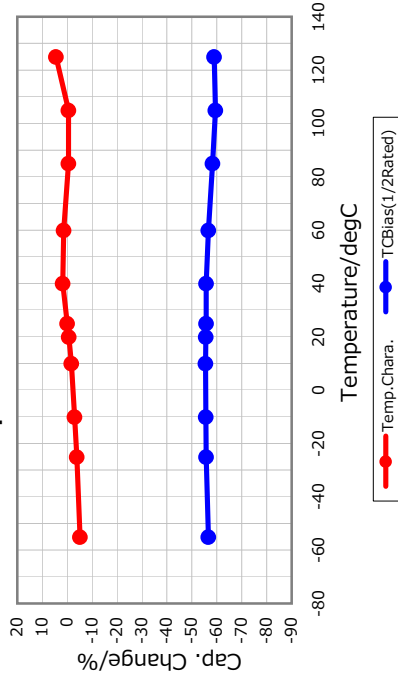
Insulation Resistance

10Gohm Min.

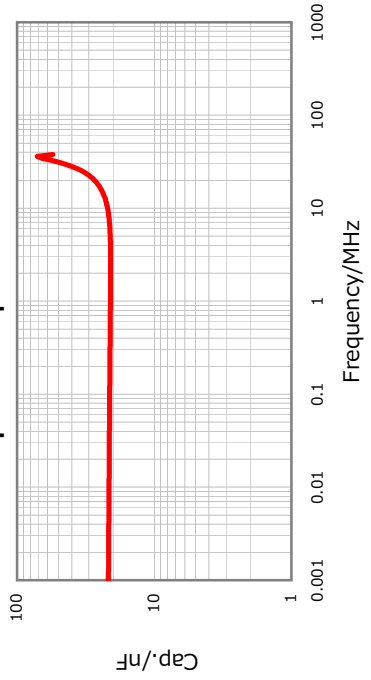
AEC-Q200

Not Applicable

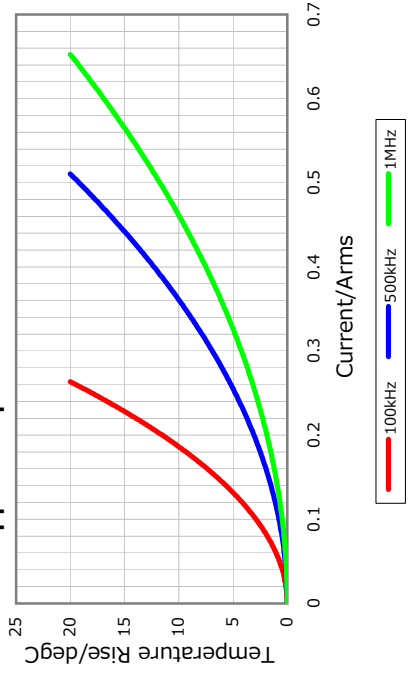
Temperature Characteristics



Cap. vs. Freq. Characteristic



Ripple Temperature Rise Characteristics



All specifications are subject to change without notice.

January 3, 2016