

C4532X7R2E154K160KA

TDK Item Description : C4532X7R2E154KT****

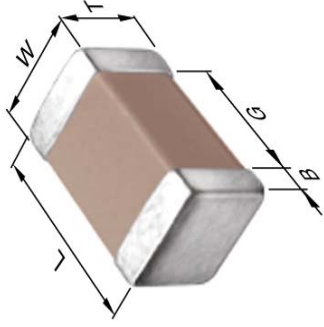


Application & Main Feature

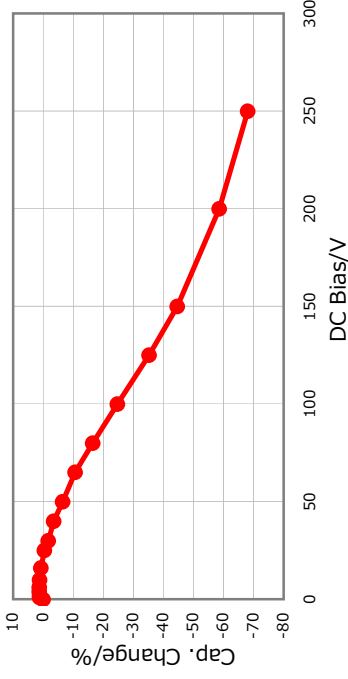
Commercial Grade (Mid Voltage (100 to 630V))

Series

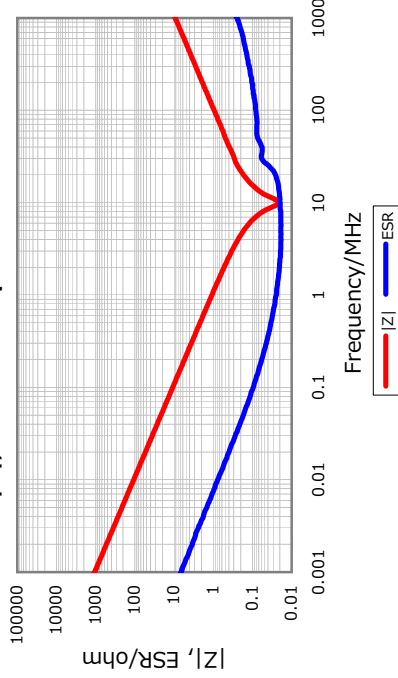
C4532 [EIA CC1812]



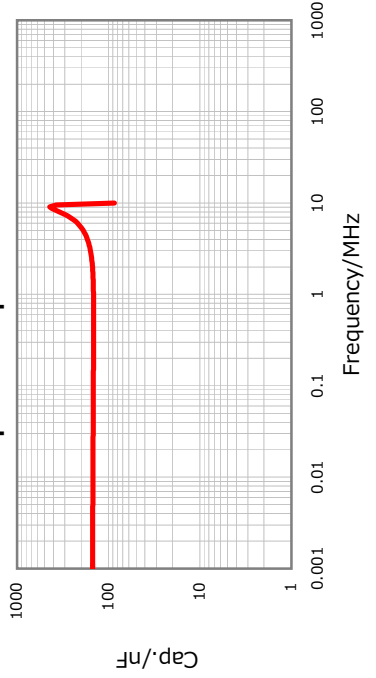
DC Bias Characteristic



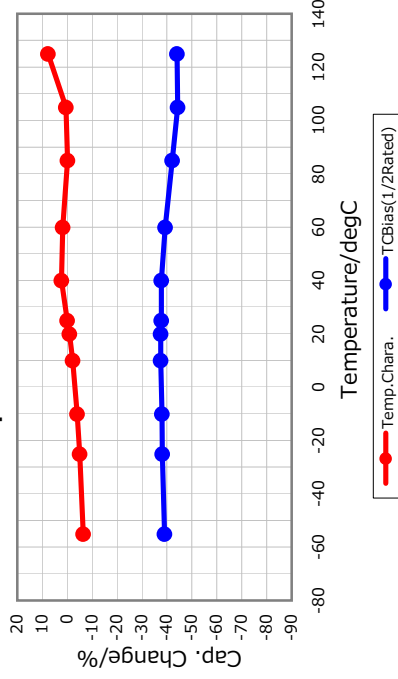
|Z|, ESR vs. Freq. Characteristics



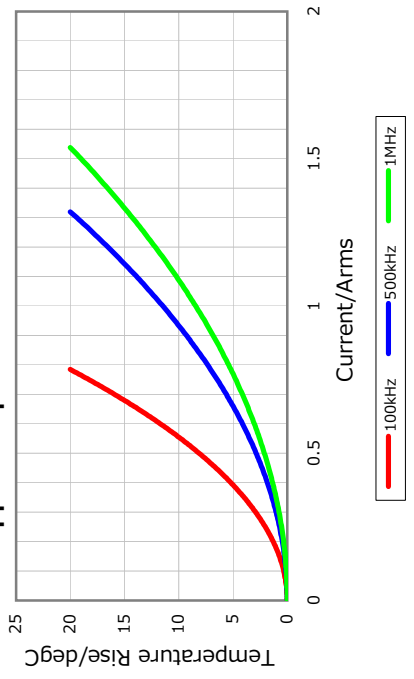
Cap. vs. Freq. Characteristic



Temperature Characteristics



Ripple Temperature Rise Characteristics



Dimensions

- L 4.50mm +/-0.4mm
- W 3.20mm +/-0.4mm
- T 1.60mm +/-0.2mm
- B 0.20mm Min.
- G

Temperature Characteristic

X7R (-55 to 125 degC +/-15%)

Rated Voltage

2E (250Vdc)

Capacitance

150nF

Capacitance Tolerance

K (+/-10%)

Dissipation Factor

3% Max.

Insulation Resistance

3.33Gohm Min.

AEC-Q200

Not Applicable



All specifications are subject to change without notice.

January 4, 2016