

# C3216X5R2E473K160AA

TDK Item Description : C3216X5R2E473KT\*\*\*\*

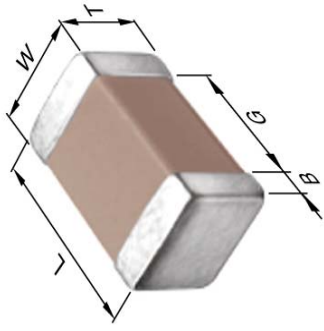


## Application & Main Feature

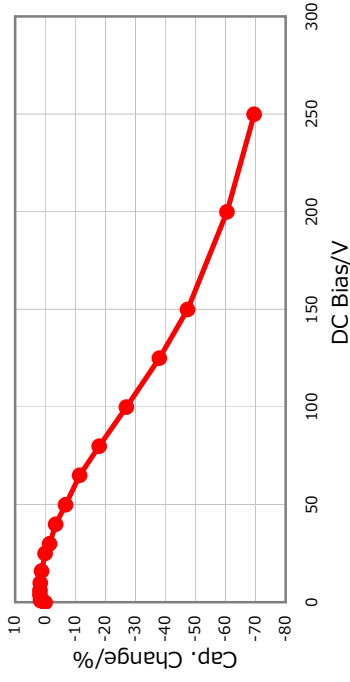
Commercial Grade ( Mid Voltage (100 to 630V) )

## Series

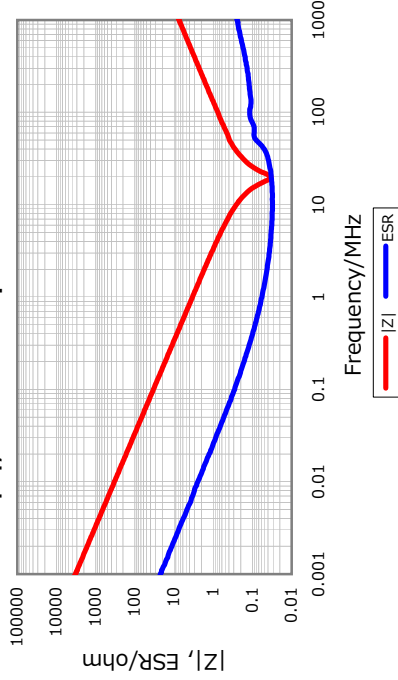
C3216 [EIA CC1206]



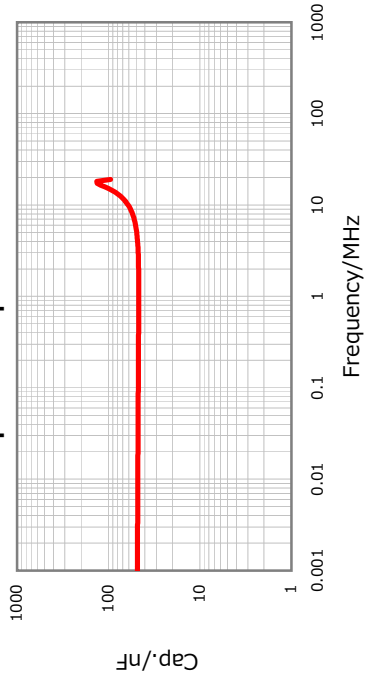
## DC Bias Characteristic



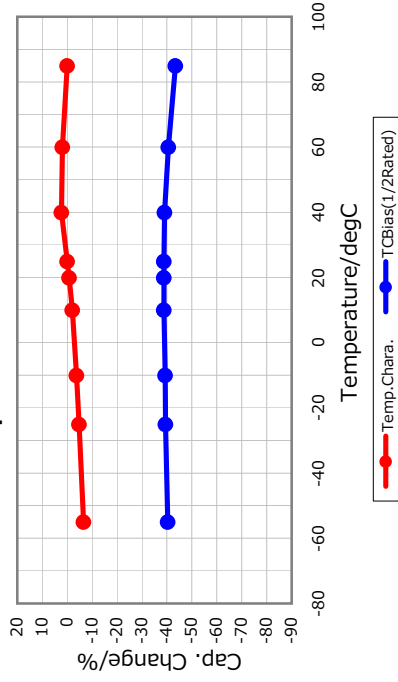
## |Z|, ESR vs. Freq. Characteristics



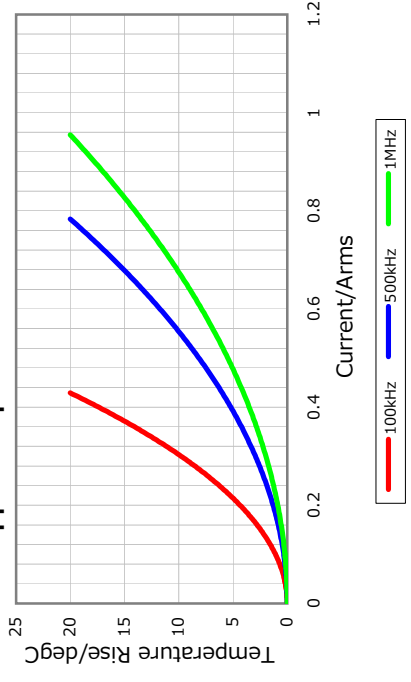
## Cap. vs. Freq. Characteristic



## Temperature Characteristics



## Ripple Temperature Rise Characteristics



## Dimensions

- L 3.20mm +/-0.2mm
- W 1.60mm +/-0.2mm
- T 1.60mm +/-0.2mm
- B 0.20mm Min.
- G 1.00mm Min.

## Temperature Characteristic

X5R (-55 to 85 degC +/-15%)

## Rated Voltage

2E (250Vdc)

## Capacitance

47nF

## Capacitance Tolerance

K (+/-10%)

## Dissipation Factor

3% Max.

## Insulation Resistance

10Gohm Min.

## AEC-Q200

Not Applicable



All specifications are subject to change without notice.

January 3, 2016