

NFA18SD207X1A45#

“#” indicates a package specification code.

In Production

RoHS

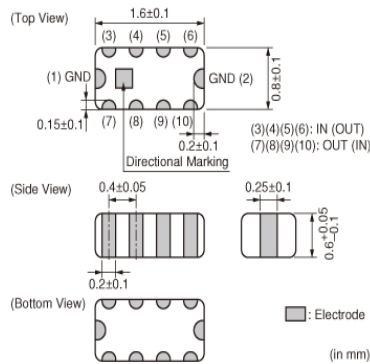
REACH

< List of part numbers with package codes >

NFA18SD207X1A45B

NFA18SD207X1A45L

Appearance & Shape



Features

1. NFA18SD series is LC combined noise suppression filter whose noise suppression curve is very steep and deep in spite of its small shape.
2. This product has additional function as common mode choke coil at low frequency range, also works as a LC filter at high frequency range. This combination results good noise suppression effect without the affection to differential signal waveform.
3. This product has good noise suppression effect from 470MHz (for digital TV) to 2GHz. (for mobile phone) This function improves the sensibility of digital TVs or mobile phones.
4. Four circuits are built in 1.6x0.8mm chip size, it saves the large amount of mounting space.

■Application

Noise suppression of differential signal
Noise suppression of LCD signal lines,
camera module lines.

Applications

Other Usage	For general
-------------	-------------

Packaging Information

Packaging	Specifications	Standard Packing Quantity
B	Bulk(Bag)	1000
L	180mm Embossed Tape	4000

Attention


1.This datasheet is downloaded from the website of Murata Manufacturing Co., Ltd. Therefore, it's specifications are subject to change or our products in it may be discontinued without advance notice. Please check with our sales representatives or product engineers before ordering.

2.This datasheet has only typical specifications because there is no space for detailed specifications.

Therefore, please review our product specifications or consult the approval sheet for product specifications before ordering.

NFA18SD207X1A45#

“#” indicates a package specification code.



Specifications

Shape	SMD
Size Code (in inch)	0603
Length	1.6mm
Length Tolerance	±0.1mm
Width	0.8mm
Width Tolerance	±0.1mm
Thickness	0.6mm
Thickness Tolerance	+0.05/-0.1mm
Operating Temperature Range	-40°C to 85°C
Mass(typ.)	0.004g
Number of Circuit	4
Rated Current	25mA
Rated Voltage	10Vdc
Withstanding Voltage	30Vdc
Insulation Resistance(min.)	1000MΩ
Insertion Loss	6dB max.(at Cut-off Frequency), 13dB min.(at 500MHz), 20dB min.(at 900MHz), 20dB min.(at 1500MHz), 20dB min.(at 2000MHz)
Nominal Cut-off Frequency	200MHz
Size Code (in mm)	1608

Attention

1.This datasheet is downloaded from the website of Murata Manufacturing Co., Ltd. Therefore, it's specifications are subject to change or our products in it may be discontinued without advance notice. Please check with our sales representatives or product engineers before ordering.

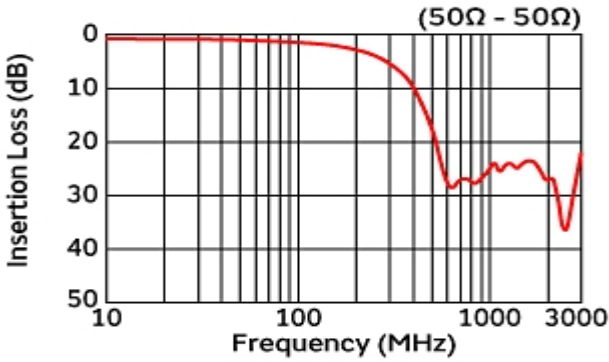
2.This datasheet has only typical specifications because there is no space for detailed specifications.

Therefore, please review our product specifications or consult the approval sheet for product specifications before ordering.

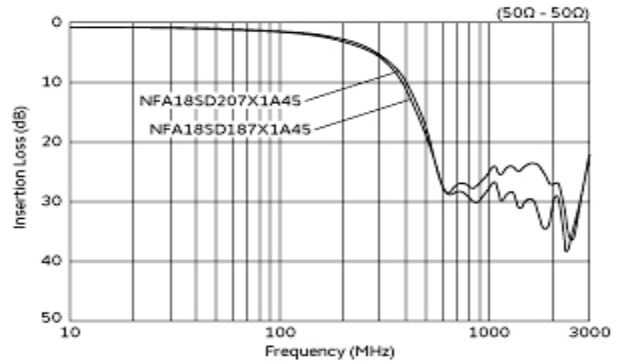
NFA18SD207X1A45#

“#” indicates a package specification code.

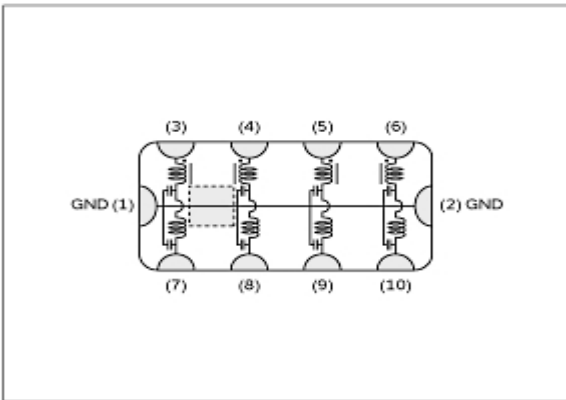
Product Data



Insertion Loss Characteristics



Insertion Loss Characteristics (Main Items)



Equivalent Circuit

Attention

- 1.This datasheet is downloaded from the website of Murata Manufacturing Co., Ltd. Therefore, it's specifications are subject to change or our products in it may be discontinued without advance notice. Please check with our sales representatives or product engineers before ordering.
- 2.This datasheet has only typical specifications because there is no space for detailed specifications. Therefore, please review our product specifications or consult the approval sheet for product specifications before ordering.