

# CGA3E2C0G1H181J080AD

TDK Item Description : CGA3E2C0G1H181JT\*\*\*B

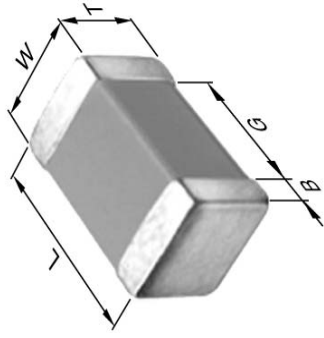
Equivalent C1608C0G1H181J for Automotive

## Application & Main Feature

Automotive Grade ( Conductive Epoxy Application )

## Series

CGA3(1608) [EIA CC0603]



### Dimensions

L	1.60mm	+/-0.15mm
W	0.80mm	+/-0.15mm
T	0.80mm	+/-0.15mm
B	0.20mm	Min.
G	0.30mm	Min.

### Temperature Characteristic

C0G (-55 to 125 degC 0+/-30ppm/degC)

### Rated Voltage

1H (50Vdc)

### Capacitance

180pF

### Capacitance Tolerance

J (+/-5%)

### Q Factor

1000 Min.

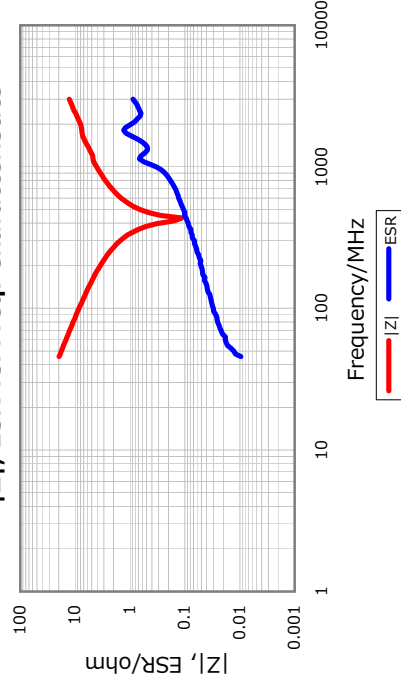
### Insulation Resistance

10Gohm Min.

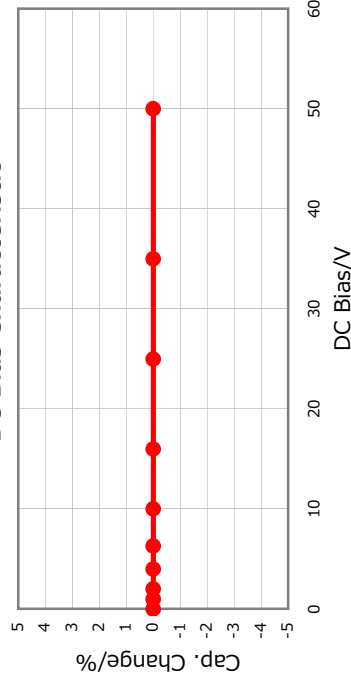
### AEC-Q200

Yes

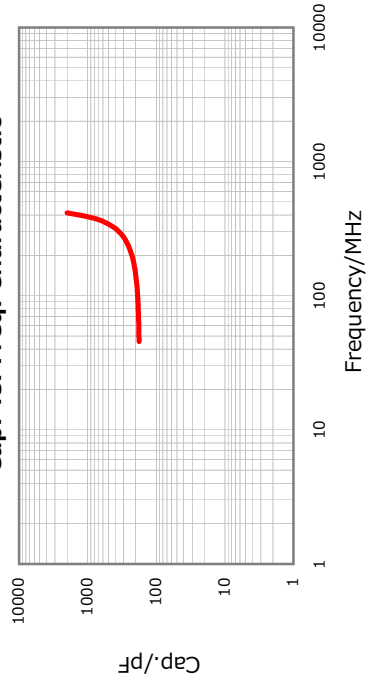
### |Z|, ESR vs. Freq. Characteristics



### DC Bias Characteristic



### Cap. vs. Freq. Characteristic



### Temperature Characteristics

