

C5750X7R2J224K230KM

TDK Item Description : C5750X7R2J224KT5***

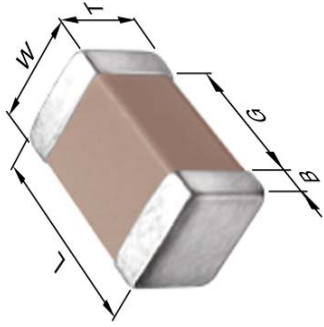


Application & Main Feature

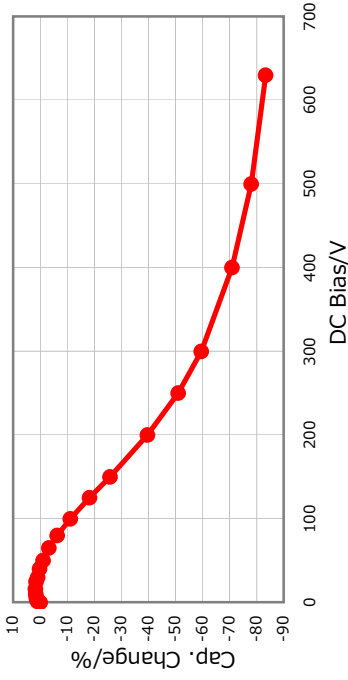
Commercial Grade (Open Mode)

Series

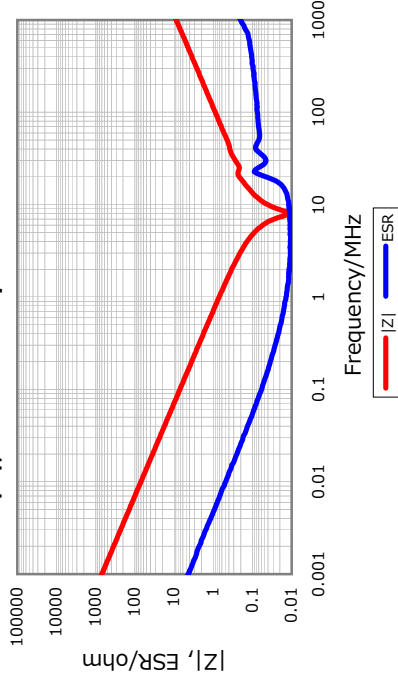
C5750 [EIA CC2220]



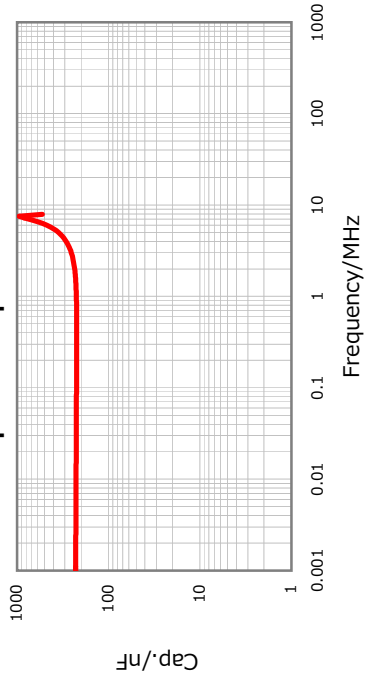
DC Bias Characteristic



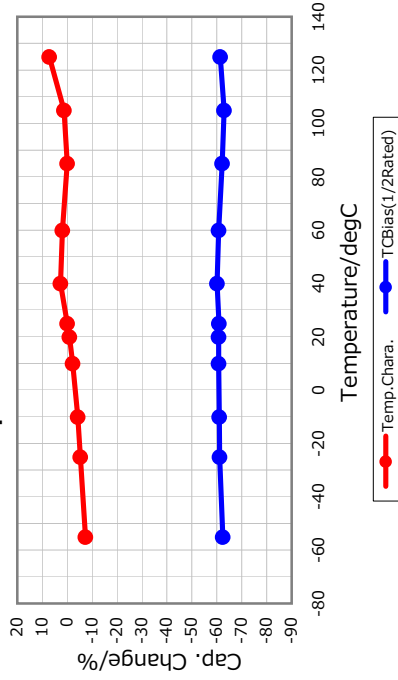
|Z|, ESR vs. Freq. Characteristics



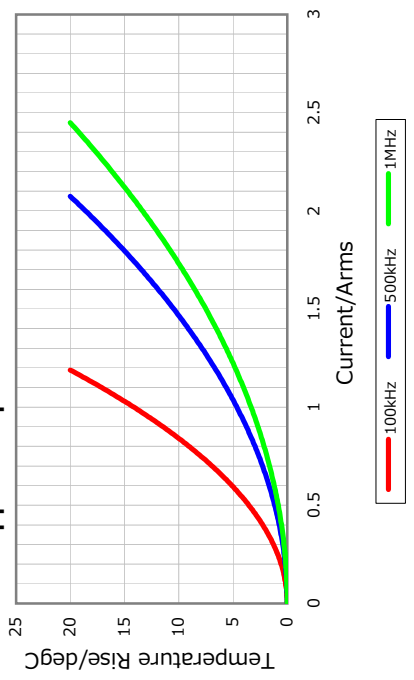
Cap. vs. Freq. Characteristic



Temperature Characteristics



Ripple Temperature Rise Characteristics



Temperature Characteristic

X7R (-55 to 125 degC +/-15%)

Rated Voltage

2J (630Vdc)

Capacitance

220nF

Capacitance Tolerance

K (+/-10%)

Dissipation Factor

3% Max.

Insulation Resistance

2.27Gohm Min.

AEC-Q200

Not Applicable



All specifications are subject to change without notice.

January 4, 2016