

CGA8M1X7T2J224M200KC

TDK Item Description : CGA8M1X7T2J224MT*****

Equivalent C4532X7T2J224M for Automotive

Application & Main Feature

Automotive Grade (Mid Voltage (100 to 630V))

Series

CGA8(4532) [EIA CC1812]

Dimensions

L	4.50mm	+/-0.4mm
W	3.20mm	+/-0.4mm
T	2.00mm	+/-0.2mm
B	0.20mm Min.	
G		

Temperature Characteristic

X7T (-55 to 125 degC +22,-33%)

Rated Voltage

2J (630Vdc)

Capacitance

220nF

Capacitance Tolerance

M (+/-20%)

Dissipation Factor

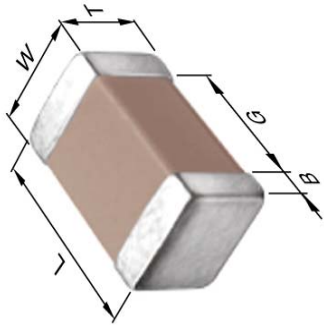
2.5% Max.

Insulation Resistance

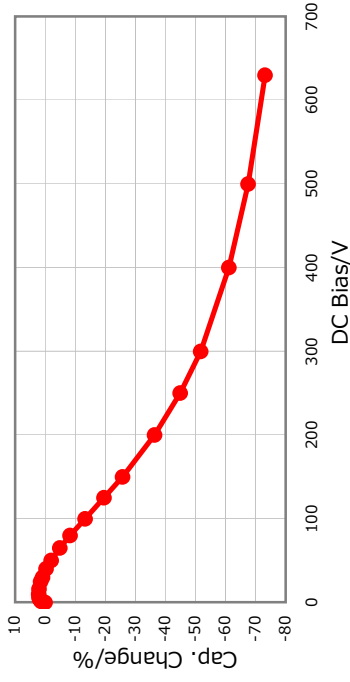
2.27Gohm Min.

AEC-Q200

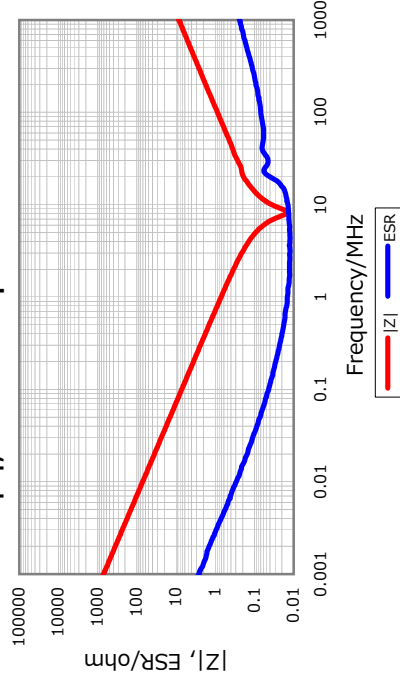
Yes



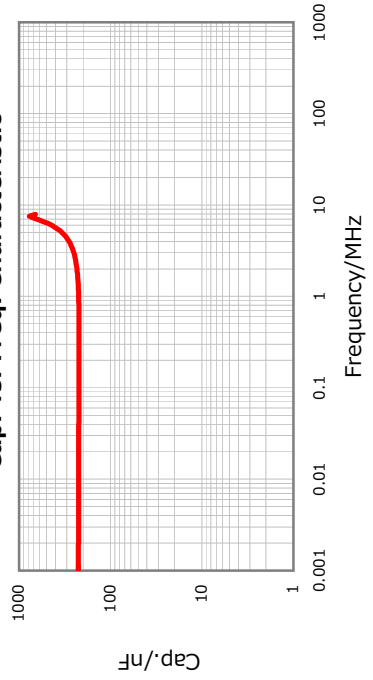
DC Bias Characteristic



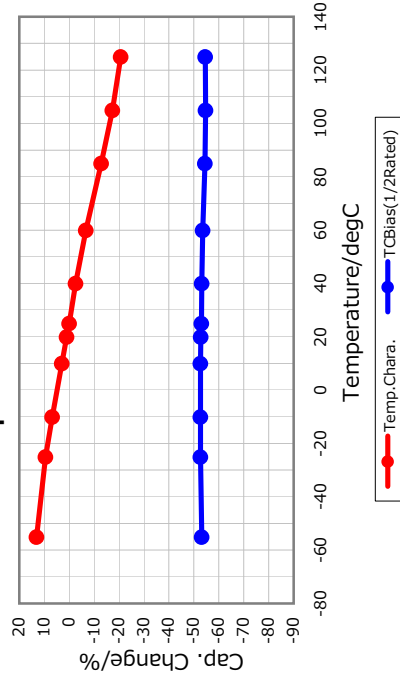
|Z|, ESR vs. Freq. Characteristics



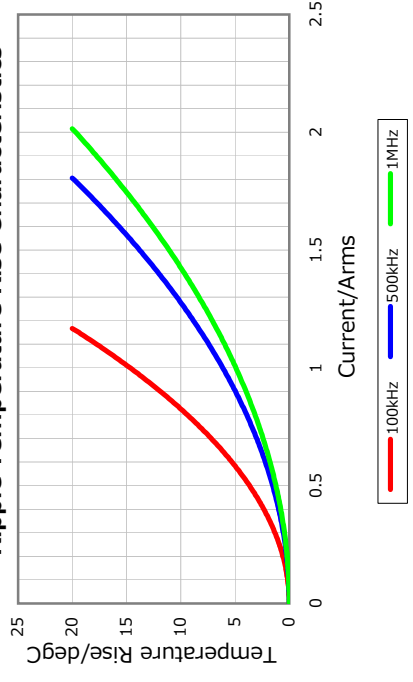
Cap. vs. Freq. Characteristic



Temperature Characteristics



Ripple Temperature Rise Characteristics



All specifications are subject to change without notice.

January 4, 2016

