

# CGA2B2X8R1H332M050BA

TDK Item Description : CGA2B2X8R1H332MT\*\*\*\*\*

Equivalent C1005X8R1H332M for Automotive

## Application & Main Feature

Automotive Grade ( High Temperature Application )

## Series

CGA2(1005) [EIA CC0402]

### Dimensions

L	1.00mm	+/-0.05mm
W	0.50mm	+/-0.05mm
T	0.50mm	+/-0.05mm
B	0.10mm	Min.
G	0.30mm	Min.

### Temperature Characteristic

X8R (-55 to 150 degC +/-15%)

### Rated Voltage

1H (50Vdc)

### Capacitance

3.3nF

### Capacitance Tolerance

M (+/-20%)

### Dissipation Factor

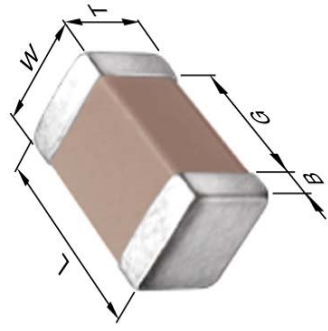
3% Max.

### Insulation Resistance

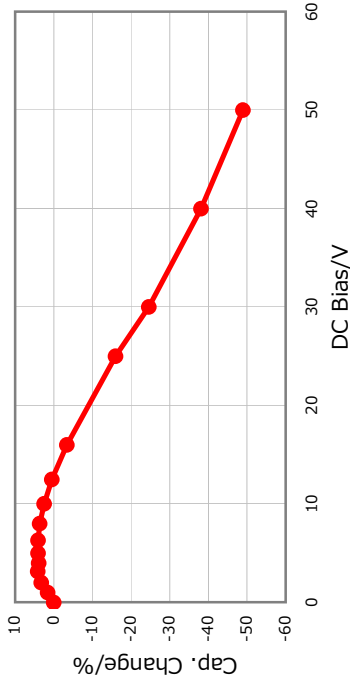
10Gohm Min.

### AEC-Q200

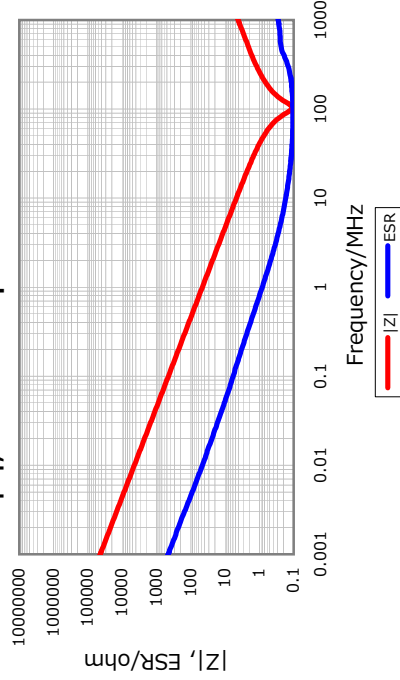
Yes



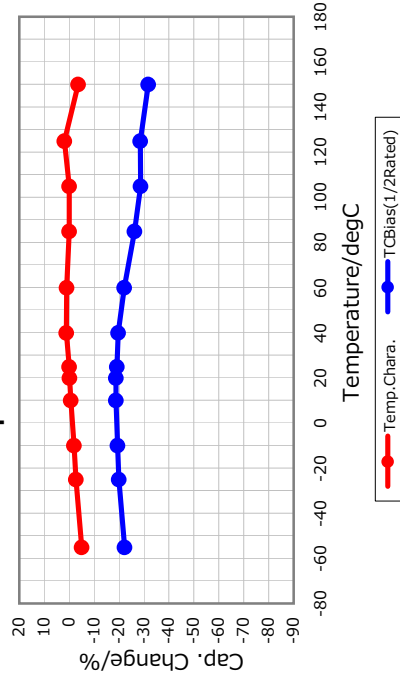
### DC Bias Characteristic



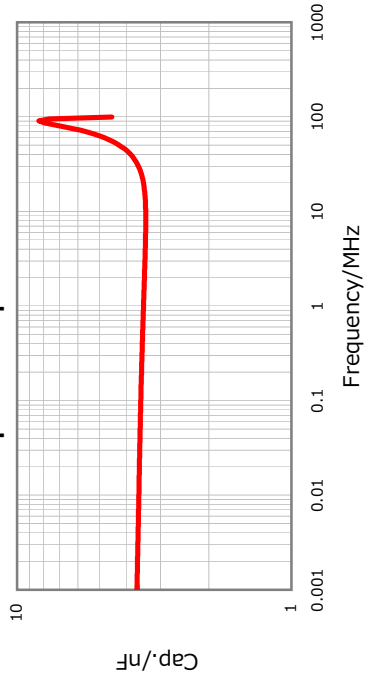
### |Z|, ESR vs. Freq. Characteristics



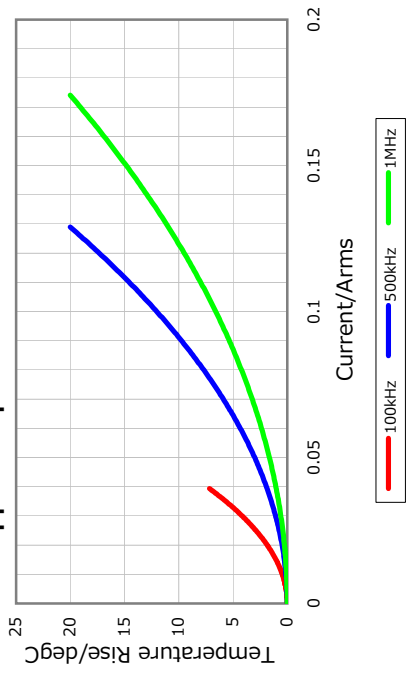
### Temperature Characteristics



### Cap. vs. Freq. Characteristic



### Ripple Temperature Rise Characteristics



All specifications are subject to change without notice.

January 4, 2016