

C5750X7R2A105M230KA

TDK Item Description : C5750X7R2A105MT****



Application & Main Feature

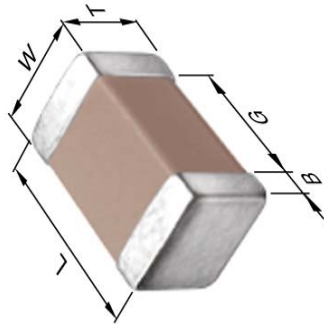
Commercial Grade (Mid Voltage (100 to 630V))

Series

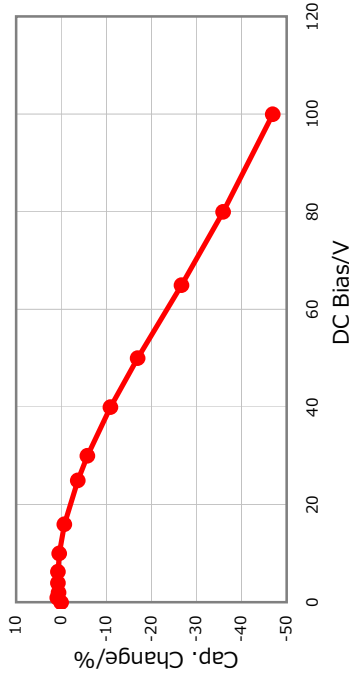
C5750 [EIA CC2220]

Dimensions

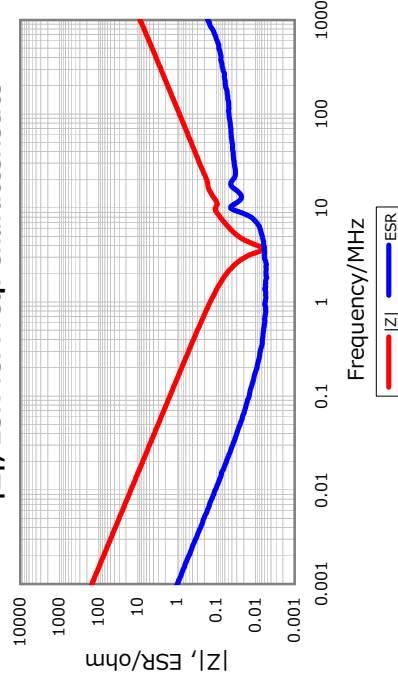
L 5.70mm +/-0.4mm
 W 5.00mm +/-0.4mm
 T 2.30mm +/-0.2mm
 B 0.20mm Min.
 G



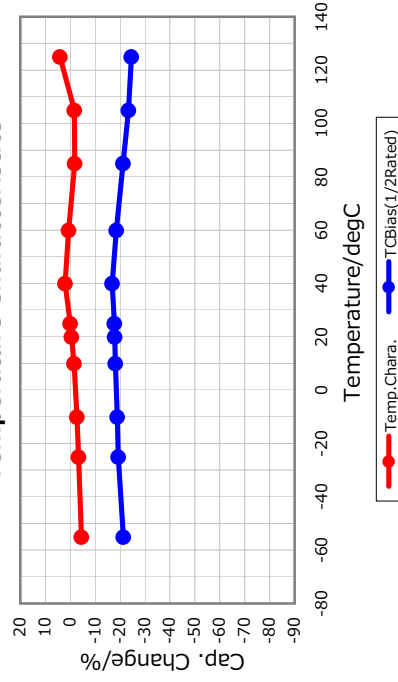
DC Bias Characteristic



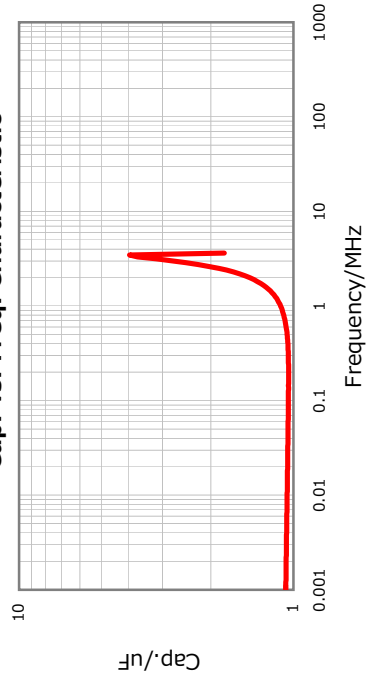
|Z|, ESR vs. Freq. Characteristics



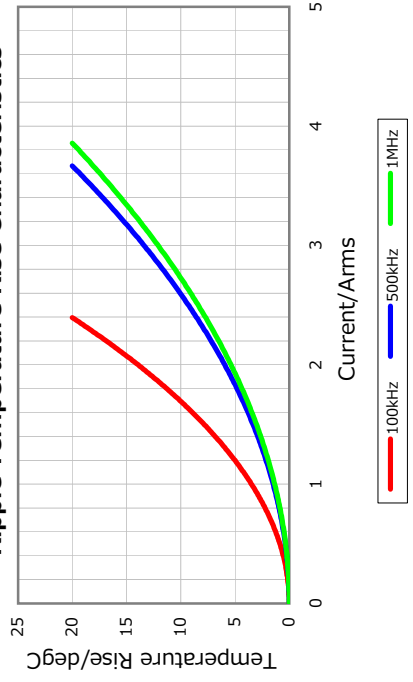
Temperature Characteristics



Cap. vs. Freq. Characteristic



Ripple Temperature Rise Characteristics



All specifications are subject to change without notice.

January 4, 2016