

# CGJ5L2X7R1E155K160AA

TDK Item Description : CGJ5L2X7R1E155KT\*\*\*

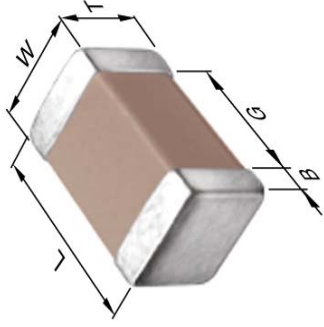


## Application & Main Feature

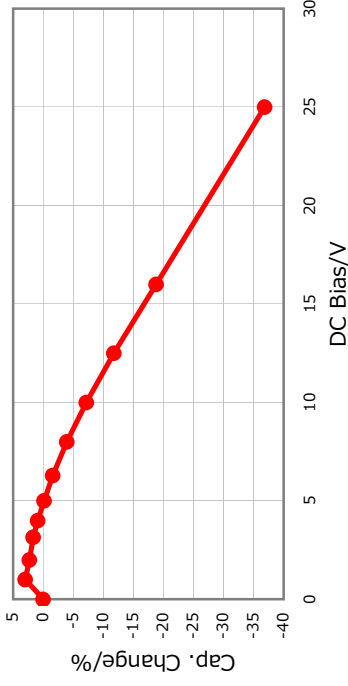
High Reliability Grade ( General (Up to 50V) )

## Series

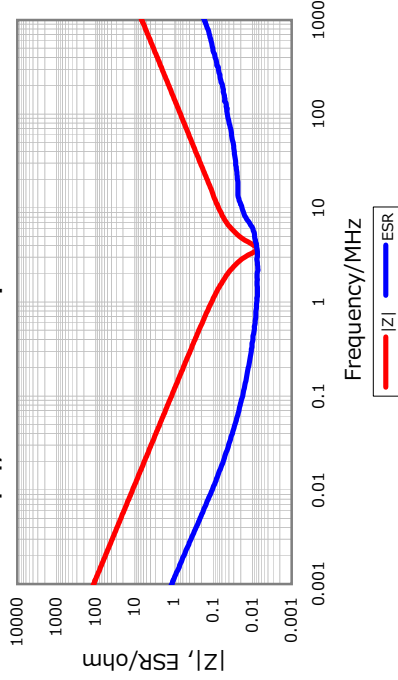
CGJ5(3216) [EIA CC1206]



## DC Bias Characteristic



## |Z|, ESR vs. Freq. Characteristics



## Temperature Characteristic

X7R (-55 to 125 degC +/-15%)

## Rated Voltage

1E (25Vdc)

## Capacitance

1.5uF

## Capacitance Tolerance

K (+/-10%)

## Dissipation Factor

5% Max.

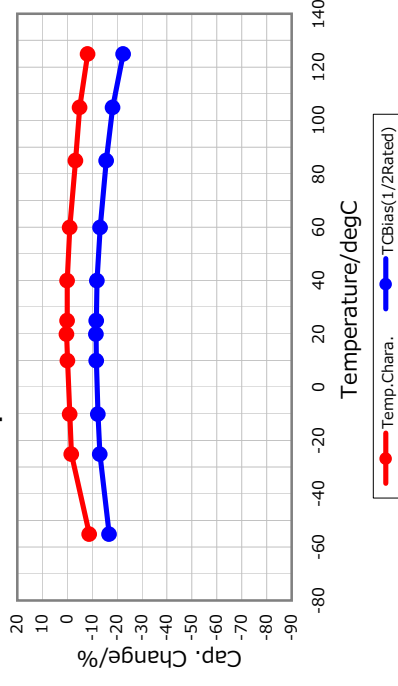
## Insulation Resistance

333Mohm Min.

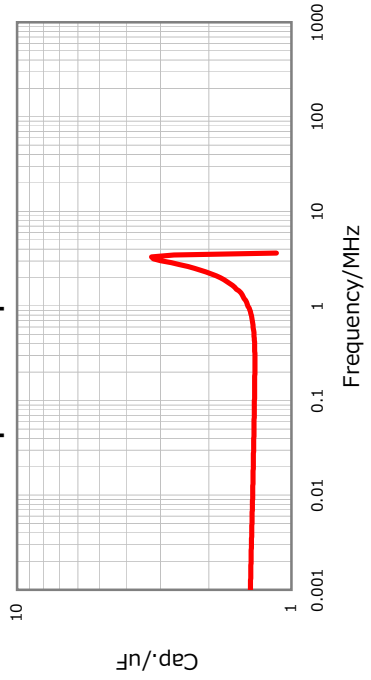
## AEC-Q200

Yes

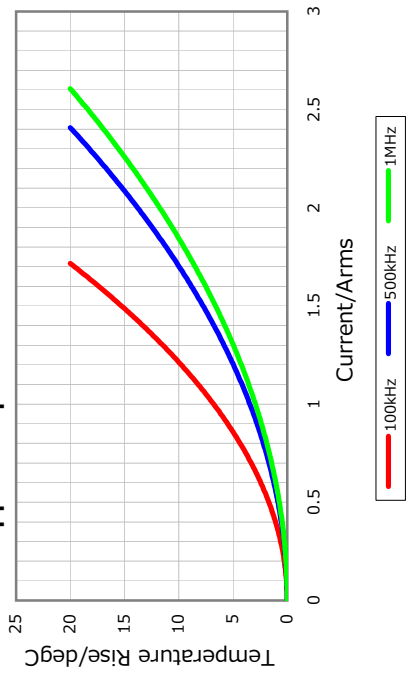
## Temperature Characteristics



## Cap. vs. Freq. Characteristic



## Ripple Temperature Rise Characteristics



All specifications are subject to change without notice.

January 4, 2016