

# LQH43CN3R3M33#

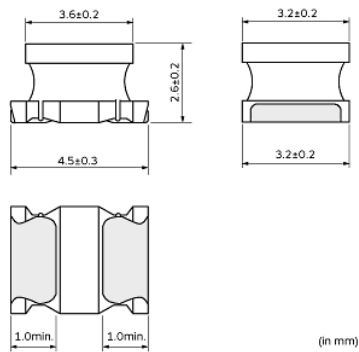
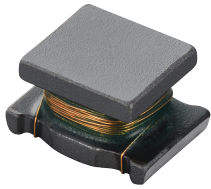
“#” indicates a package specification code.

Low DC Resistance Type



< List of part numbers with package codes >  
LQH43CN3R3M33L

## Appearance & Shape



## References

| Packaging   | Specifications   | Standard Packing Quantity |
|-------------|------------------|---------------------------|
| L           | 180Embossed Tape | 500                       |
| Mass (typ.) |                  |                           |
| 1 piece     | 0.13g            |                           |

## Notices

When rated current is applied to the products, inductance will be within  $\pm 20\%$  of initial inductance value. When rated current is applied to the products, the temperature rise caused by self-generated heat shall be limited to 40°C max.

**Attention**  
1.This datasheet is downloaded from the website of Murata Manufacturing Co., Ltd. Therefore, it's specifications are subject to change or our products in it may be discontinued without advance notice. Please check with our sales representatives or product engineers before ordering.  
2.This datasheet has only typical specifications because there is no space for detailed specifications.  
Therefore, please review our product specifications or consult the approval sheet for product specifications before ordering.

# LQH43CN3R3M33#

“#” indicates a package specification code.



## Specifications

|  |               |
|--|---------------|
| L size   | 4.5±0.3mm     |
| W size   | 3.2±0.2mm     |
| T size   | 2.6±0.2mm     |
| Size code inch (mm)  | 1812 (4532)   |
| Inductance   | 3.3μH±20%     |
| Inductance Test Frequency  | 1MHz          |
| Rated current (Itemp)<br>(Based on Temperature rise)                     | 1650mA        |
| Max. of DC resistance  | 0.099Ω        |
| Class of magnetic shield   | No Shield     |
| Self resonance frequency<br>(min.)                                       | 47MHz         |
| Operating Temperature<br>Range(Self-temperature rise<br>is not included) | -40°C to 85°C |
| Brand  | Murata        |
| DC Resistance Intermediate<br>Values                                     | 0.076Ω±30%    |
| Series   | LQH43CN_33    |

### Attention

1.This datasheet is downloaded from the website of Murata Manufacturing Co., Ltd. Therefore, it's specifications are subject to change or our products in it may be discontinued without advance notice. Please check with our sales representatives or product engineers before ordering.

2.This datasheet has only typical specifications because there is no space for detailed specifications.

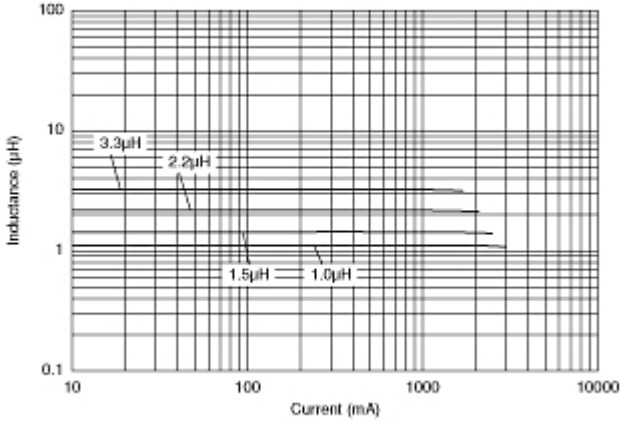
Therefore, please review our product specifications or consult the approval sheet for product specifications before ordering.

# LQH43CN3R3M33#

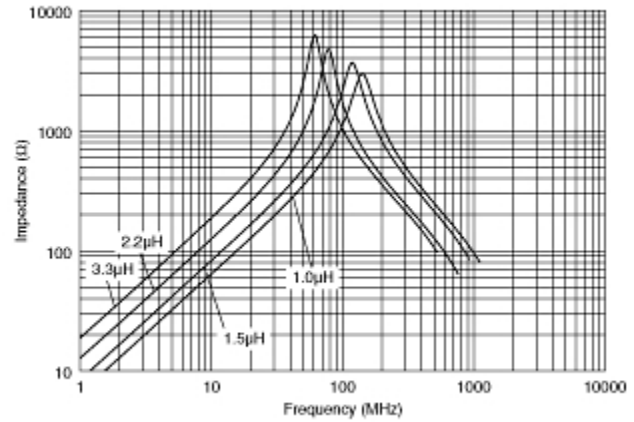
“#” indicates a package specification code.



## Characteristic Data



Impedance - Current Characteristics



Impedance - Frequency Characteristics

**Attention**

- 1.This datasheet is downloaded from the website of Murata Manufacturing Co., Ltd. Therefore, it's specifications are subject to change or our products in it may be discontinued without advance notice. Please check with our sales representatives or product engineers before ordering.
- 2.This datasheet has only typical specifications because there is no space for detailed specifications. Therefore, please review our product specifications or consult the approval sheet for product specifications before ordering.