

C2012X7R2A333K125AA

TDK Item Description : C2012X7R2A333KT****

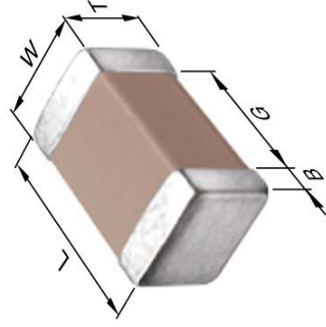


Application & Main Feature

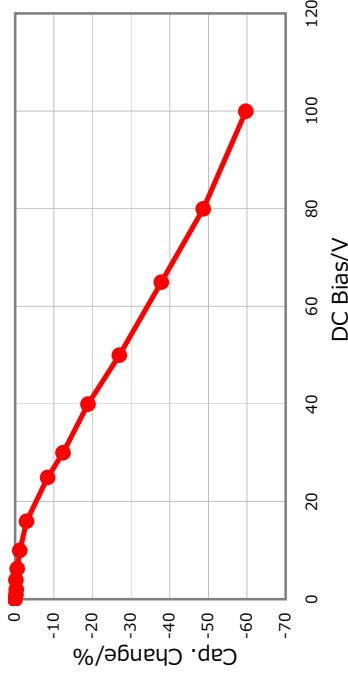
Commercial Grade (Mid Voltage (100 to 630V))

Series

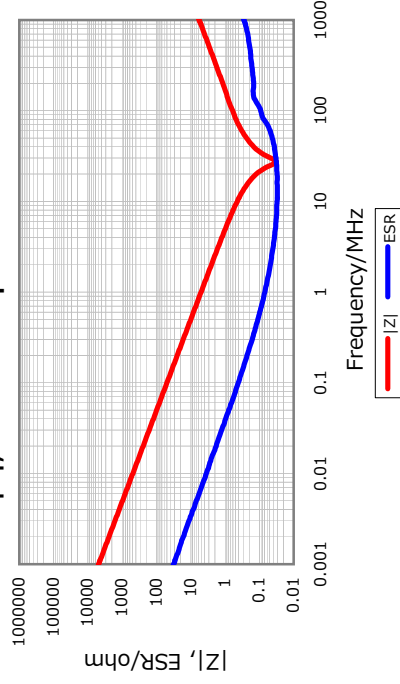
C2012 [EIA CC0805]



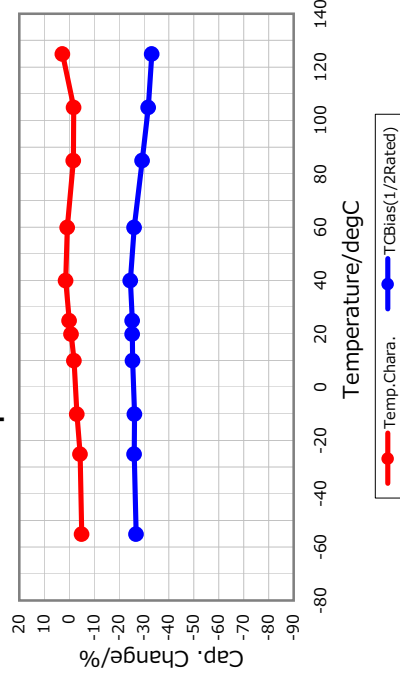
DC Bias Characteristic



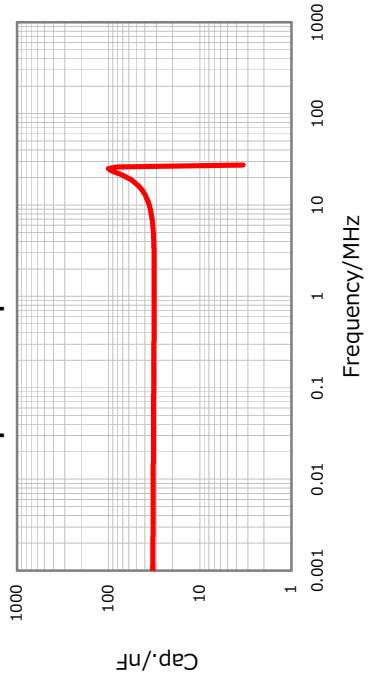
|Z|, ESR vs. Freq. Characteristics



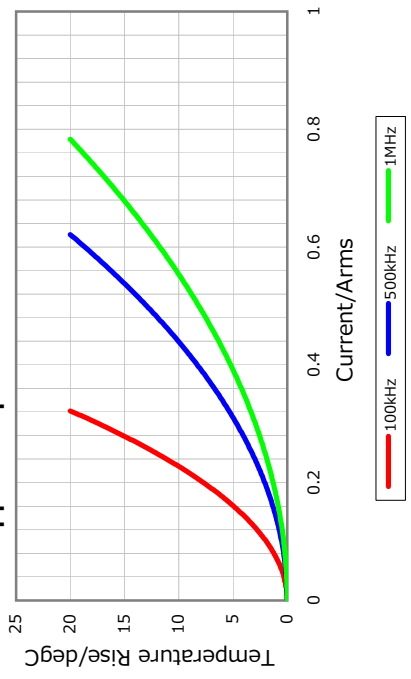
Temperature Characteristics



Cap. vs. Freq. Characteristic



Ripple Temperature Rise Characteristics



Temperature Characteristic

X7R (-55 to 125 degC +/-15%)

Rated Voltage

2A (100Vdc)

Capacitance

33nF

Capacitance Tolerance

K (+/-10%)

Dissipation Factor

3% Max.

Insulation Resistance

10Gohm Min.

AEC-Q200

Not Applicable



All specifications are subject to change without notice.

January 3, 2016