

C3216JB2A333K115AA

TDK Item Description : C3216JB2A333KT****



Application & Main Feature

Commercial Grade (Mid Voltage (100 to 630V))

Series

C3216 [EIA CC1206]

Dimensions

L	3.20mm	+/-0.2mm
W	1.60mm	+/-0.2mm
T	1.15mm	+/-0.15mm
B	0.20mm	Min.
G	1.00mm	Min.

Temperature Characteristic

JB (-25 to 85 degC +/-10%)

Rated Voltage

2A (100Vdc)

Capacitance

33nF

Capacitance Tolerance

K (+/-10%)

Dissipation Factor

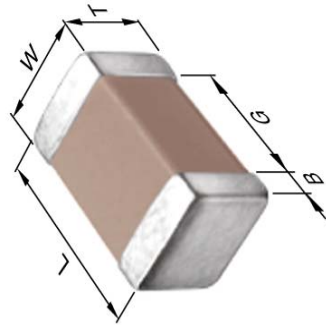
3% Max.

Insulation Resistance

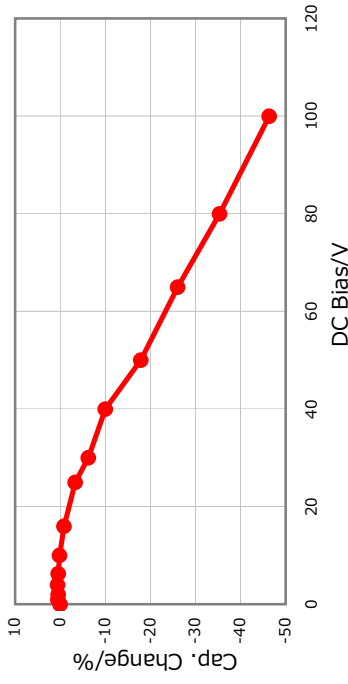
10Gohm Min.

AEC-Q200

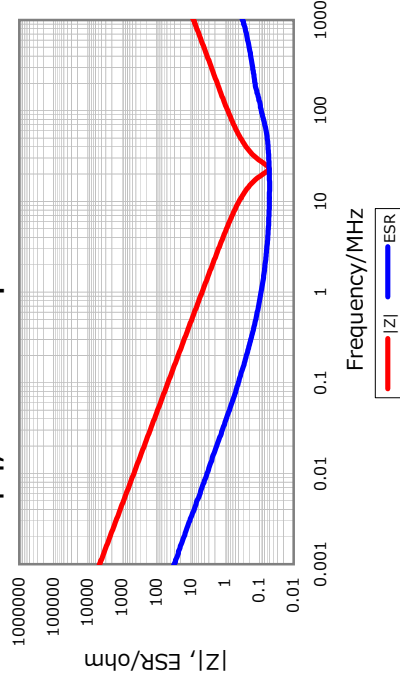
Not Applicable



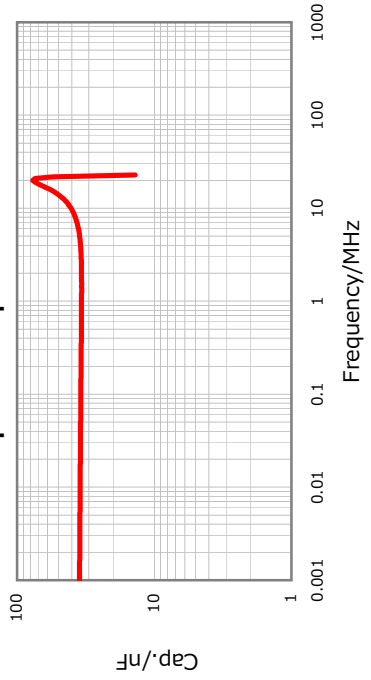
DC Bias Characteristic



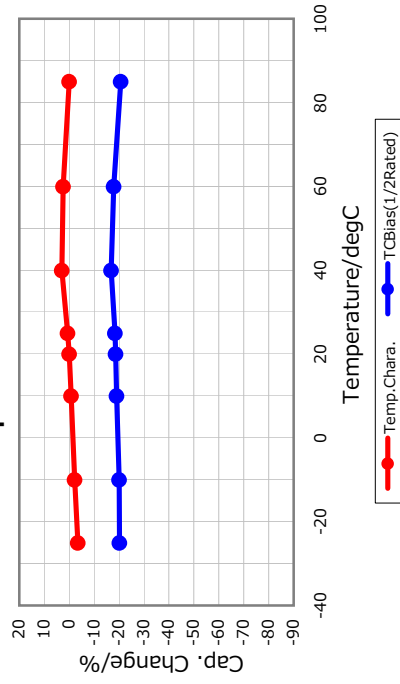
|Z|, ESR vs. Freq. Characteristics



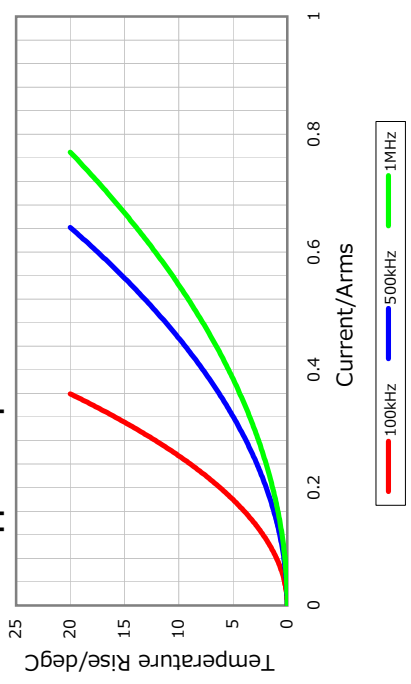
Cap. vs. Freq. Characteristic



Temperature Characteristics



Ripple Temperature Rise Characteristics



All specifications are subject to change without notice.

January 3, 2016