

CGA8L1X7S3D222K160KA

TDK Item Description : CGA8L1X7S3D222KT*****

Equivalent C4532X7S3D222K for Automotive

Application & Main Feature

Automotive Grade (High Voltage (1000V and over))

Series

CGA8(4532) [EIA CC1812]

Dimensions

L	4.50mm	+/-0.4mm
W	3.20mm	+/-0.4mm
T	1.60mm	+/-0.2mm
B	0.20mm Min.	
G		

Temperature Characteristic

X7S (-55 to 125 degC +/-22%)

Rated Voltage

3D (2000Vdc)

Capacitance

2.2nF

Capacitance Tolerance

K (+/-10%)

Dissipation Factor

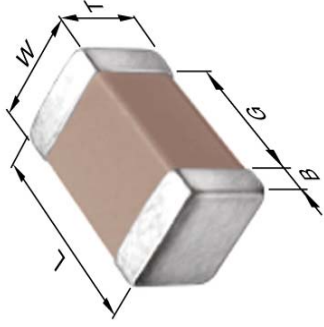
3% Max.

Insulation Resistance

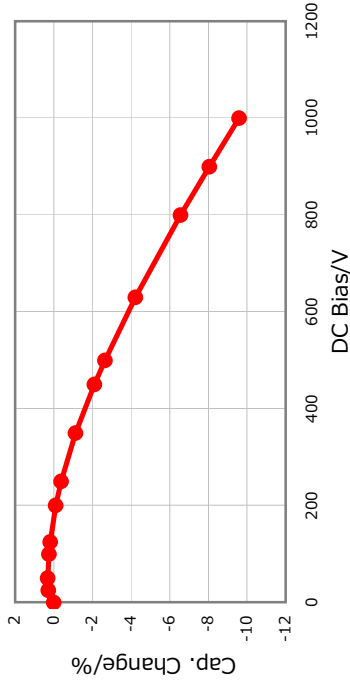
10Gohm Min.

AEC-Q200

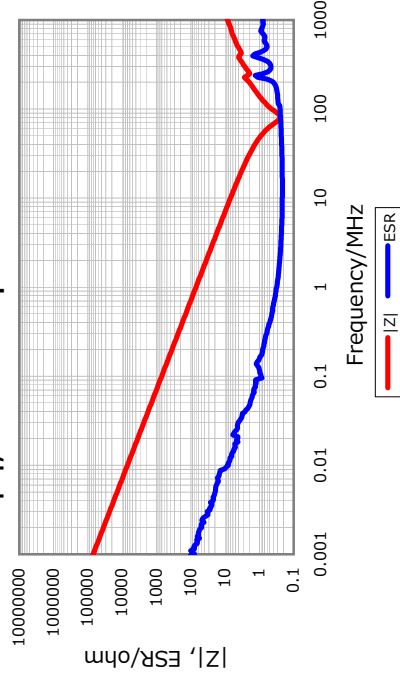
Not Applicable



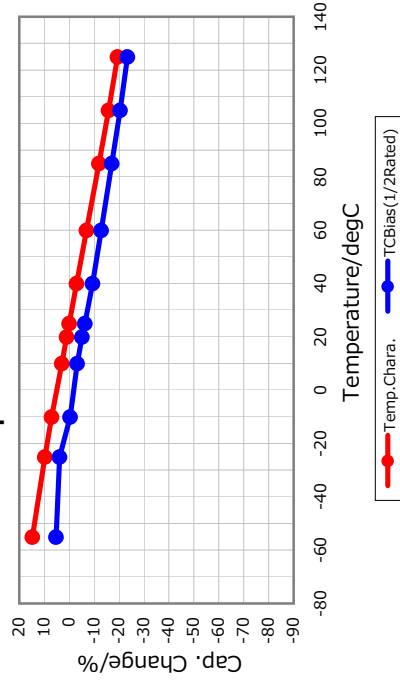
DC Bias Characteristic



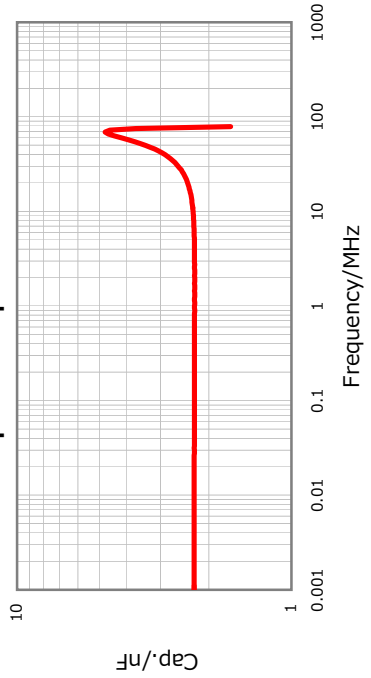
|Z|, ESR vs. Freq. Characteristics



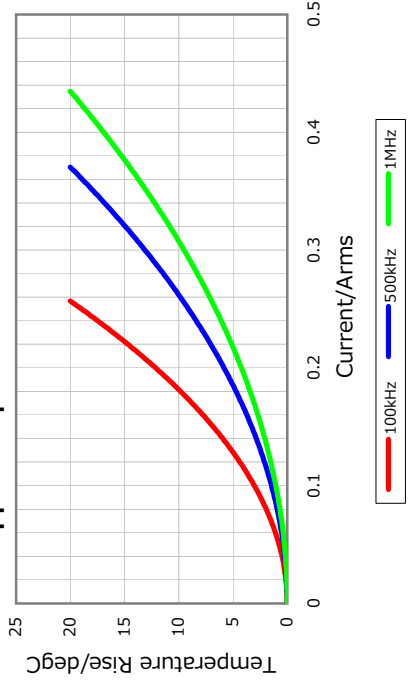
Temperature Characteristic



Cap. vs. Freq. Characteristic



Ripple Temperature Rise Characteristic



All specifications are subject to change without notice.

September 28, 2013