

C3216CH2E332K085AA

TDK Item Description : C3216CH2E332KT*****

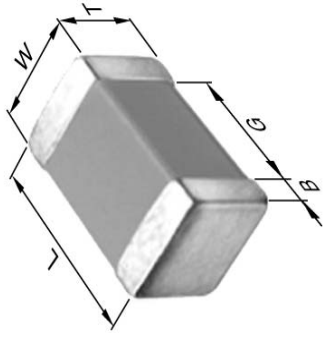


Application & Main Feature

Commercial Grade (Mid Voltage (100 to 630V))

Series

C3216 [EIA CC1206]



Dimensions

L	3.20mm	+/-0.2mm
W	1.60mm	+/-0.2mm
T	0.85mm	+/-0.15mm
B	0.20mm	Min.
G	1.00mm	Min.

Temperature Characteristic

CH (-25 to 85 degC 0+/-60ppm/degC)

Rated Voltage

2E (250Vdc)

Capacitance

3.3nF

Capacitance Tolerance

K (+/-10%)

Q Factor

1000 Min.

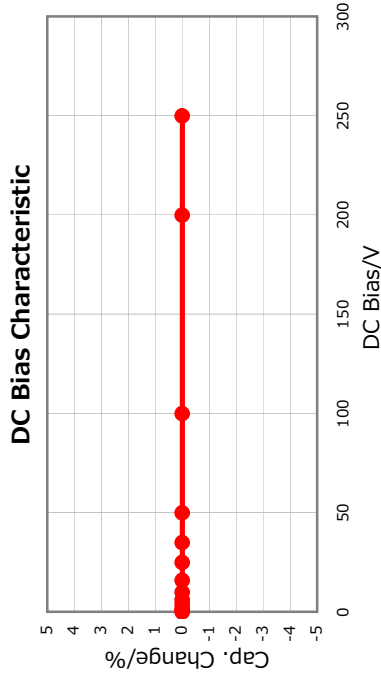
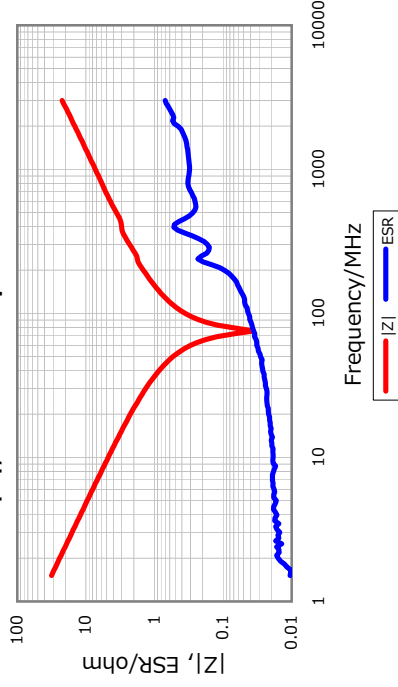
Insulation Resistance

10Gohm Min.

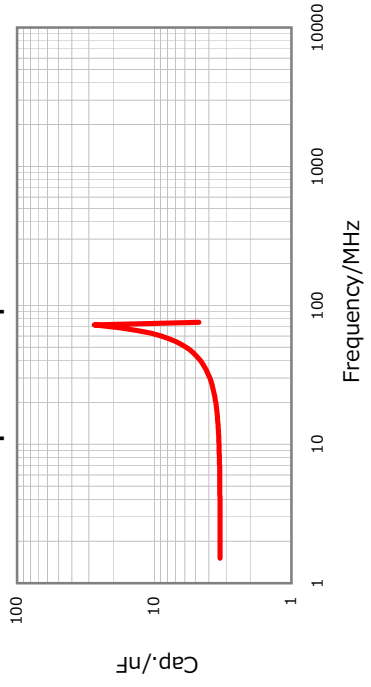
AEC-Q200

Not Applicable

|Z|, ESR vs. Freq. Characteristics



Cap. vs. Freq. Characteristic



Temperature Characteristics

