

CGA3E2X7R1H682M080AD

TDK Item Description : CGA3E2X7R1H682MT**B

Equivalent C1608X7R1H682M for Automotive

Application & Main Feature

Automotive Grade (Conductive Epoxy Application)

Series

CGA3(1608) [EIA CC0603]

Dimensions

L	1.60mm	+/-0.15mm
W	0.80mm	+/-0.15mm
T	0.80mm	+/-0.15mm
B	0.20mm	Min.
G	0.30mm	Min.

Temperature Characteristic

X7R (-55 to 125 degC +/-15%)

Rated Voltage

1H (50Vdc)

Capacitance

6.8nF

Capacitance Tolerance

M (+/-20%)

Dissipation Factor

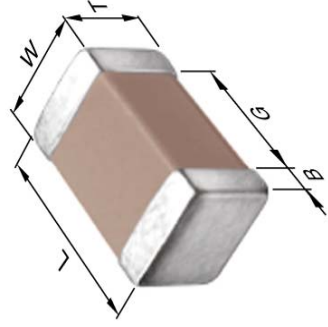
3% Max.

Insulation Resistance

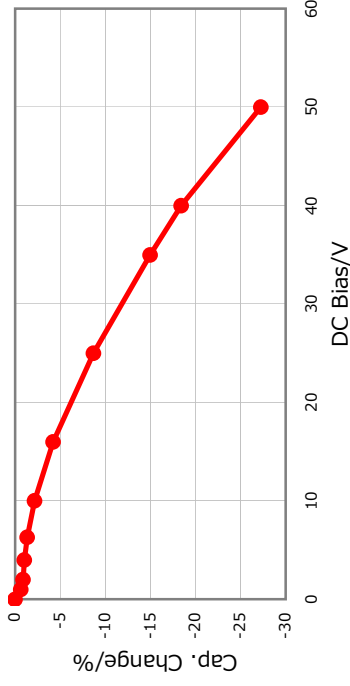
10Gohm Min.

AEC-Q200

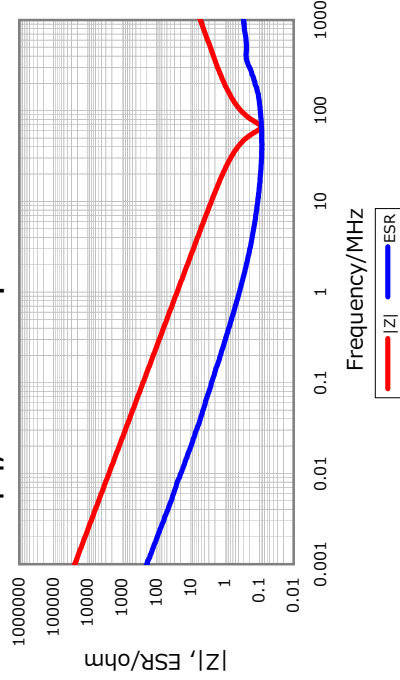
Yes



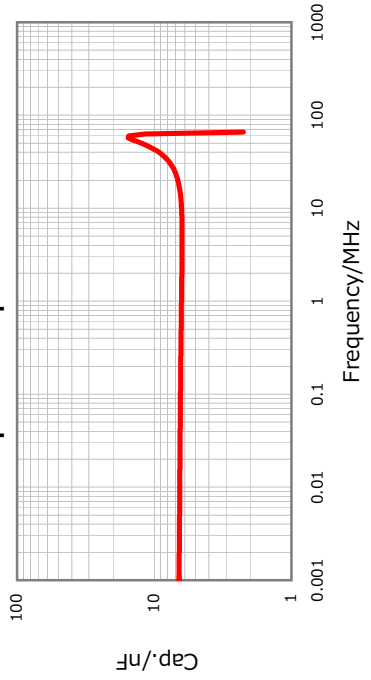
DC Bias Characteristic



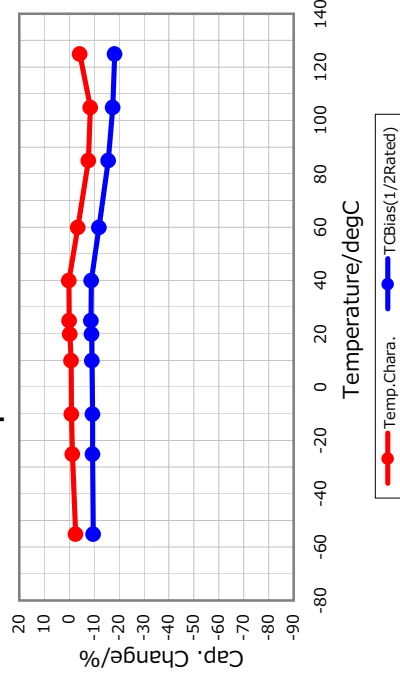
|Z|, ESR vs. Freq. Characteristics



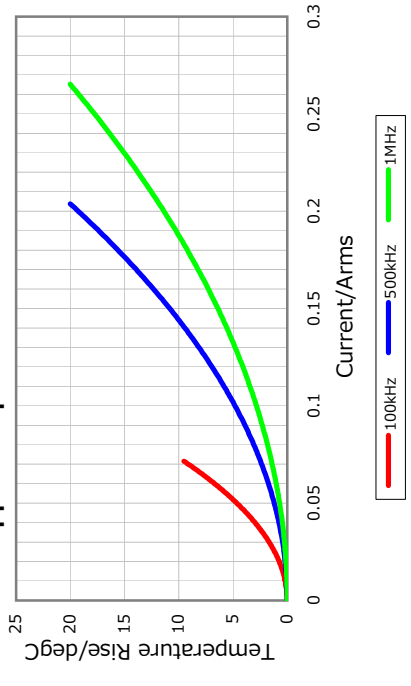
Cap. vs. Freq. Characteristic



Temperature Characteristics



Ripple Temperature Rise Characteristics



All specifications are subject to change without notice.

January 4, 2016

