

C5750JB2E105M230KA

TDK Item Description : C5750JB2E105MT*****



Application & Main Feature

Commercial Grade (Mid Voltage (100 to 630V))

Series

C5750 [EIA CC2220]

Dimensions

| | | |
|---|--------|----------|
| L | 5.70mm | +/-0.4mm |
| W | 5.00mm | +/-0.4mm |
| T | 2.30mm | +/-0.2mm |
| B | 0.20mm | Min. |
| G | | |

Temperature Characteristic

JB (-25 to 85 degC +/-10%)

Rated Voltage

2E (250Vdc)

Capacitance

1uF

Capacitance Tolerance

M (+/-20%)

Dissipation Factor

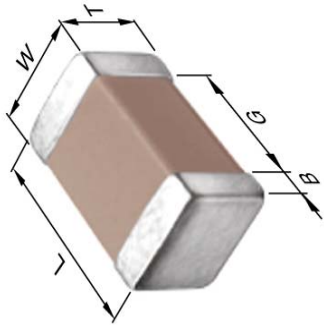
3% Max.

Insulation Resistance

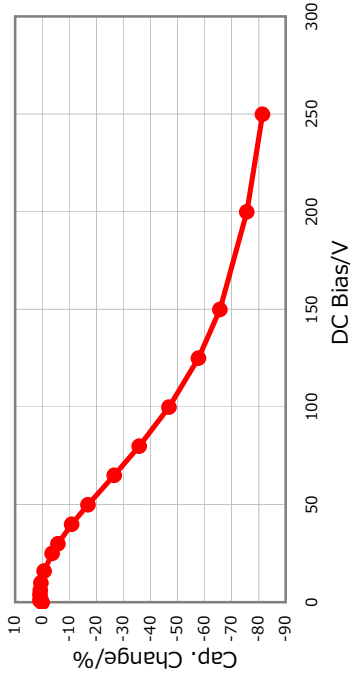
500Mohm Min.

AEC-Q200

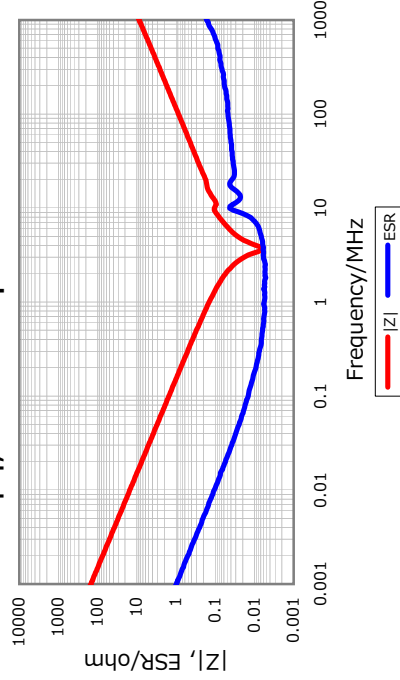
Not Applicable



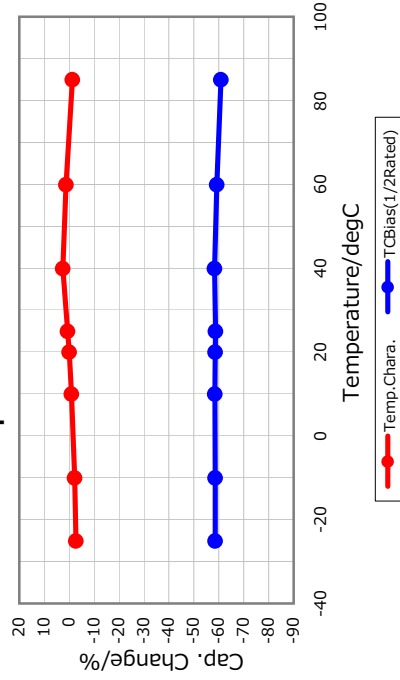
DC Bias Characteristic



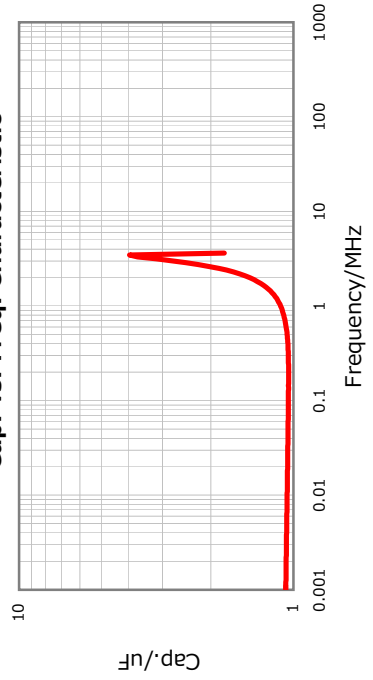
|Z|, ESR vs. Freq. Characteristics



Temperature Characteristics



Cap. vs. Freq. Characteristic



Ripple Temperature Rise Characteristics

