

# C3216X5R2J153K130AA

TDK Item Description : C3216X5R2J153KT\*\*\*\*

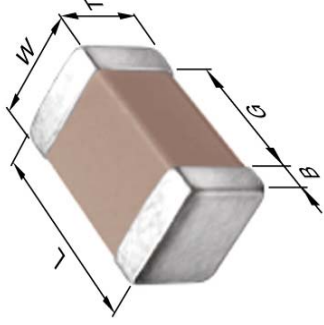


## Application & Main Feature

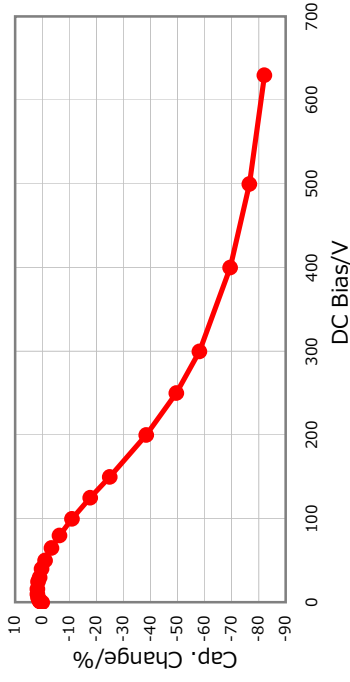
Commercial Grade ( Mid Voltage (100 to 630V) )

## Series

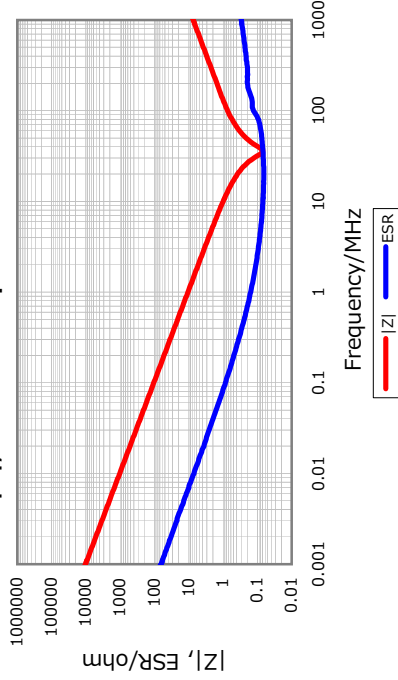
C3216 [EIA CC1206]



## DC Bias Characteristic



## |Z|, ESR vs. Freq. Characteristics



## Temperature Characteristic

X5R (-55 to 85 degC +/-15%)

## Rated Voltage

2J (630Vdc)

## Capacitance

15nF

## Capacitance Tolerance

K (+/-10%)

## Dissipation Factor

3% Max.

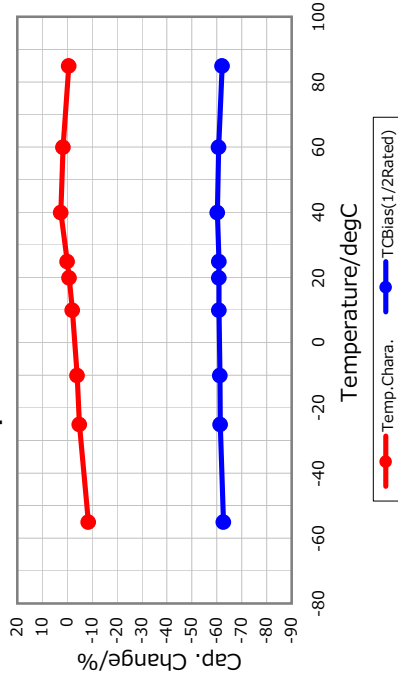
## Insulation Resistance

10Gohm Min.

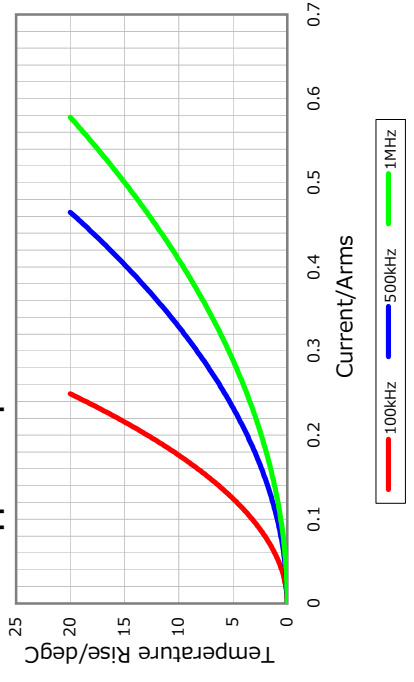
## AEC-Q200

Not Applicable

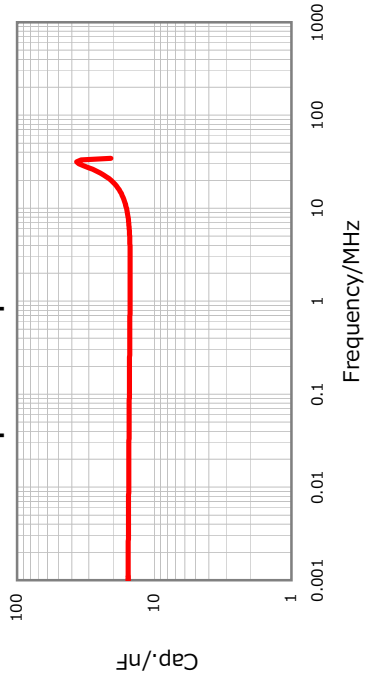
## Temperature Characteristics



## Ripple Temperature Rise Characteristics



## Cap. vs. Freq. Characteristic



All specifications are subject to change without notice.

January 3, 2016