

DXP2ABN7514T#

“#” indicates a package specification code.

In Production

RoHS

REACH

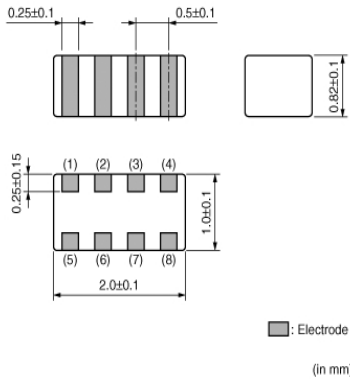
< List of part numbers with package codes >

DXP2ABN7514TB

DXP2ABN7514TL

Appearance & Shape

Features



1. Ultra Miniature Film Transformer
2. Low Insertion Loss
3. Wideband Frequency Range
4. Surface Mount

Applications

TV tuners, Cable TV tuners and Communication application that require unbalance mode to balance mode conversion.

Applications

Other Usage	For general
-------------	-------------

Packaging Information

Packaging	Specifications	Standard Packing Quantity
B	Bulk(Bag)	500
L	180mm Embossed Tape	3000

Attention

- 1.This datasheet is downloaded from the website of Murata Manufacturing Co., Ltd. Therefore, it's specifications are subject to change or our products in it may be discontinued without advance notice. Please check with our sales representatives or product engineers before ordering.
- 2.This datasheet has only typical specifications because there is no space for detailed specifications. Therefore, please review our product specifications or consult the approval sheet for product specifications before ordering.

DXP2ABN7514T#

“#” indicates a package specification code.



Specifications

Operating Temperature Range	-40°C to 85°C
Frequency Range	50MHz to 870MHz
Insertion Loss	1.8dB max.(at Freq. Range)
Size Code (in mm)	2010
Size Code (in inch)	0804
Length	2mm
Length Tolerance	±0.1mm
Width	1mm
Width Tolerance	±0.1mm
Thickness	0.82mm
Thickness Tolerance	±0.1mm
Power Rating	20dBm
Port Impedance	75Ω - 300Ω
CMRR(min.)	20dB
DC Resistance(Typ.)	2Ω
Mass(typ.)	0.008g

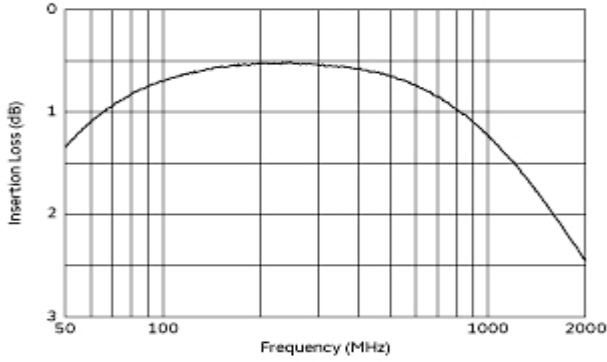
Attention

- 1.This datasheet is downloaded from the website of Murata Manufacturing Co., Ltd. Therefore, it's specifications are subject to change or our products in it may be discontinued without advance notice. Please check with our sales representatives or product engineers before ordering.
- 2.This datasheet has only typical specifications because there is no space for detailed specifications. Therefore, please review our product specifications or consult the approval sheet for product specifications before ordering.

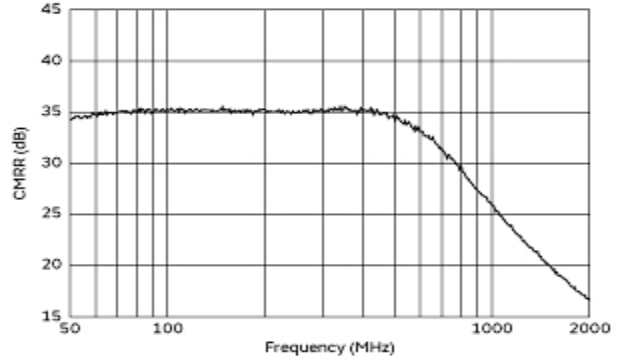
DXP2ABN7514T#

“#” indicates a package specification code.

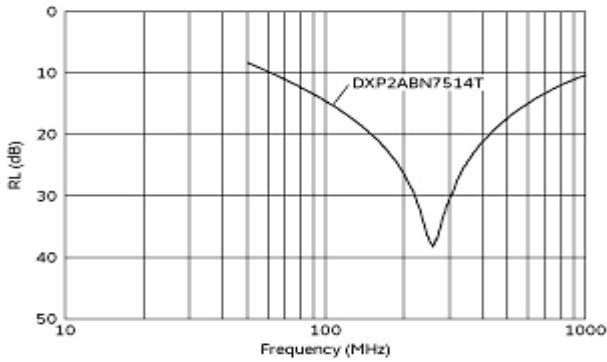
Product Data



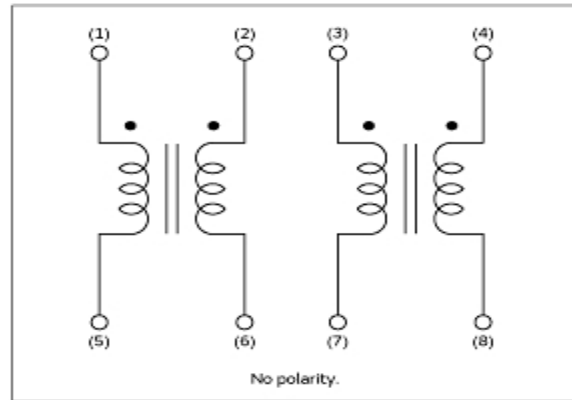
Insertion Loss Characteristics



CMRR Characteristics



Return Loss



Equivalent Circuit

Attention

1. This datasheet is downloaded from the website of Murata Manufacturing Co., Ltd. Therefore, its specifications are subject to change or our products in it may be discontinued without advance notice. Please check with our sales representatives or product engineers before ordering.
2. This datasheet has only typical specifications because there is no space for detailed specifications. Therefore, please review our product specifications or consult the approval sheet for product specifications before ordering.