

# CGA3E2X8R2A332M080AD

TDK Item Description : CGA3E2X8R2A332MT\*\*\*B

Equivalent C1608X8R2A332M for Automotive

## Application & Main Feature

Automotive Grade ( Conductive Epoxy Application )

## Series

CGA3(1608) [EIA CC0603]

### Dimensions

L	1.60mm	+/-0.15mm
W	0.80mm	+/-0.15mm
T	0.80mm	+/-0.15mm
B	0.20mm	Min.
G	0.30mm	Min.

### Temperature Characteristic

X8R (-55 to 150 degC +/-15%)

### Rated Voltage

2A (100Vdc)

### Capacitance

3.3nF

### Capacitance Tolerance

M (+/-20%)

### Dissipation Factor

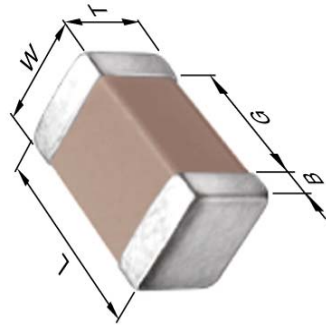
3% Max.

### Insulation Resistance

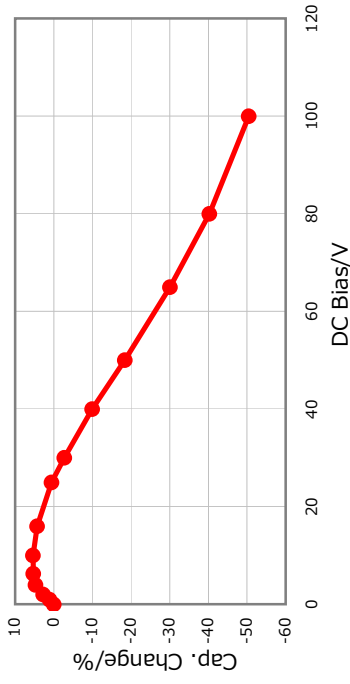
10Gohm Min.

### AEC-Q200

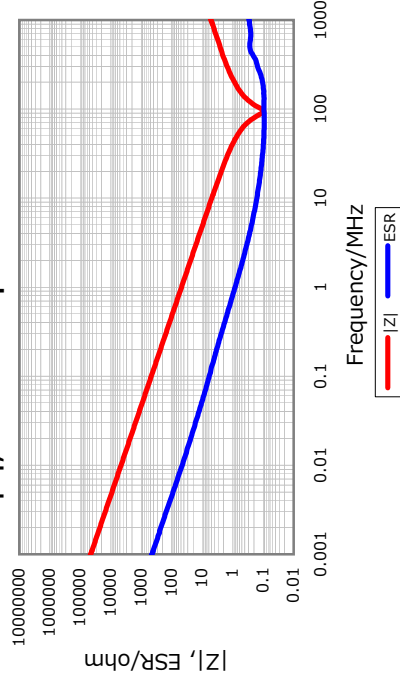
Yes



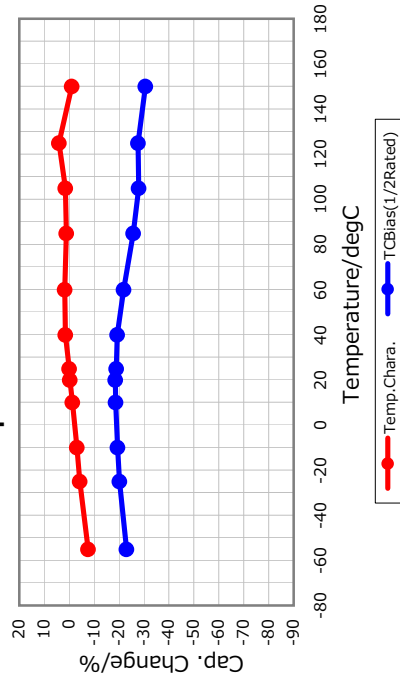
## DC Bias Characteristic



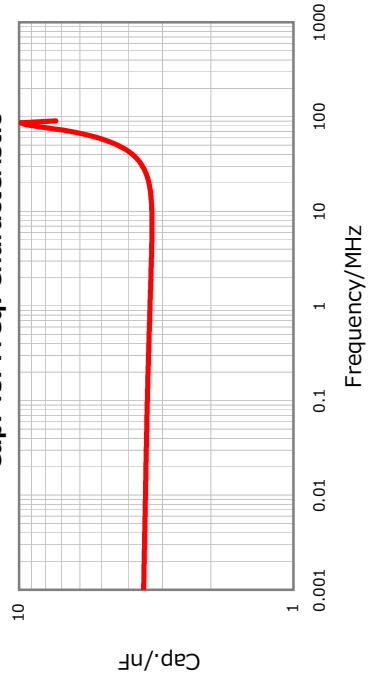
## |Z|, ESR vs. Freq. Characteristics



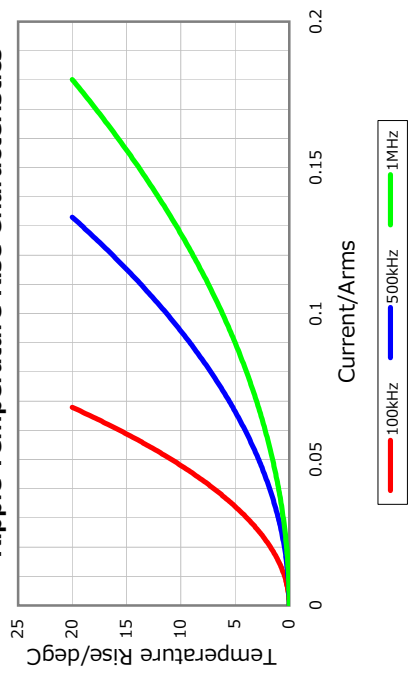
## Temperature Characteristics



## Cap. vs. Freq. Characteristic



## Ripple Temperature Rise Characteristics



All specifications are subject to change without notice.

January 4, 2016