

# CGA2B2C0G1H1R5C050BD

TDK Item Description : CGA2B2C0G1H1R5CT\*\*B

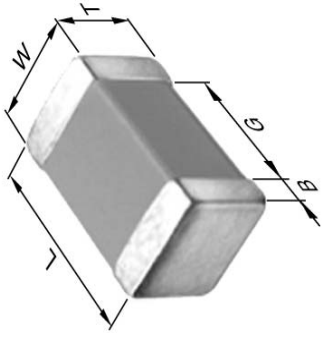
Equivalent C1005C0G1H1R5C for Automotive

## Application & Main Feature

Automotive Grade ( Conductive Epoxy Application )

## Series

CGA2(1005) [EIA CC0402]



### Dimensions

L	1.00mm	+/-0.15mm
W	0.50mm	+/-0.1mm
T	0.50mm	+/-0.1mm
B	0.10mm	Min.
G	0.30mm	Min.

### Temperature Characteristic

C0G (-55 to 125 degC 0+/-30ppm/degC)

### Rated Voltage

1H (50Vdc)

### Capacitance

1.5pF

### Capacitance Tolerance

C (+/-0.25pF)

### Q Factor

430 Min.

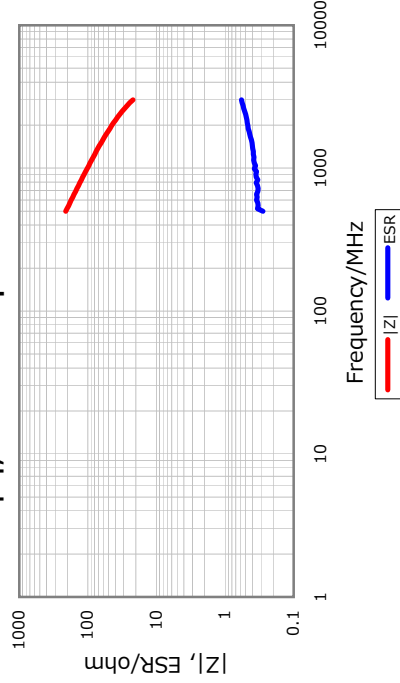
### Insulation Resistance

10Gohm Min.

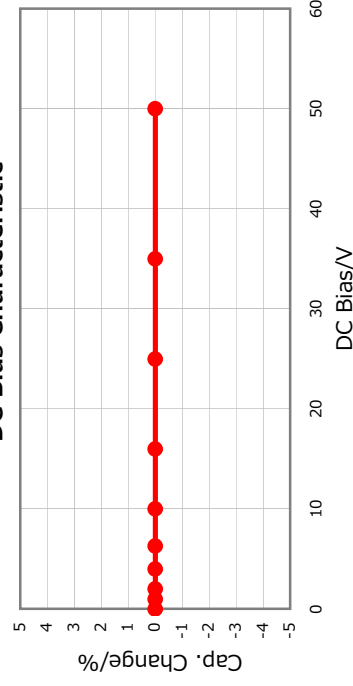
### AEC-Q200

Yes

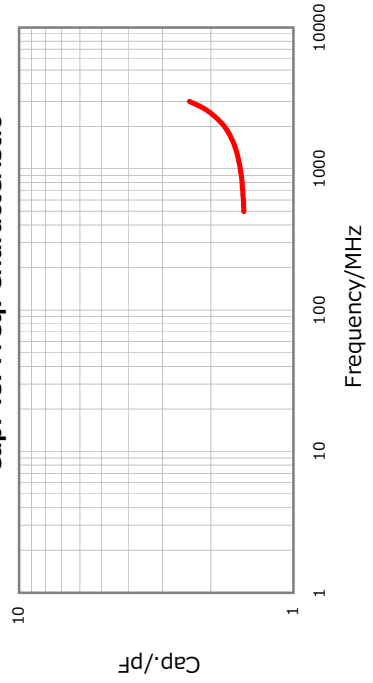
### |Z|, ESR vs. Freq. Characteristics



### DC Bias Characteristic



### Cap. vs. Freq. Characteristic



### Temperature Characteristics

