

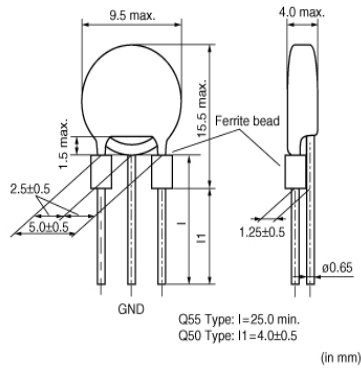
DST9HB32E271Q55#

“#” indicates a package specification code.



< List of part numbers with package codes >
DST9HB32E271Q55B

Appearance & Shape



Features

DS_9H is a basic type EMI suppression filter which can obtain high insertion loss in a wide frequency range. Its three terminal structure enables nice high frequency performance. High rated voltage of 250Vdc and wide operating temperature range from -40 degrees C to 105 degrees C are suitable for high reliability circuits.

Supplement
Diameter of lead is 0.6mm for taping type.
Taping type is three terminal in-line arrangement.

Applications

Automotive Usage	Powertrain/Safety
------------------	-------------------

Packaging Information

Packaging	Specifications	Standard Packing Quantity
B	Bulk(Bag)	200

Attention

- 1.This datasheet is downloaded from the website of Murata Manufacturing Co., Ltd. Therefore, it's specifications are subject to change or our products in it may be discontinued without advance notice. Please check with our sales representatives or product engineers before ordering.
- 2.This datasheet has only typical specifications because there is no space for detailed specifications. Therefore, please review our product specifications or consult the approval sheet for product specifications before ordering.

DST9HB32E271Q55#

“#” indicates a package specification code.

Specifications

Shape	Lead
Length	9.5mm
Length Tolerance	max.
Width	4.0mm
Width Tolerance	max.
Thickness	15.5mm
Thickness Tolerance	max.
Rated Current	6A
Operating Temperature Range	-40°C to 105°C
Mass(typ.)	0.98g
Number of Circuit	1
Insulation Resistance(min.)	10000MΩ
Rated Voltage	250Vdc
Withstanding Voltage	625Vdc
Capacitance	270pF
Capacitance Tolerance	±20%
Structure/Shape	Beads outside

Attention

1.This datasheet is downloaded from the website of Murata Manufacturing Co., Ltd. Therefore, it's specifications are subject to change or our products in it may be discontinued without advance notice. Please check with our sales representatives or product engineers before ordering.

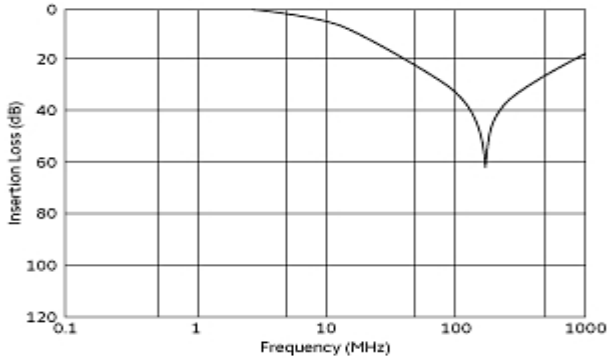
2.This datasheet has only typical specifications because there is no space for detailed specifications.

Therefore, please review our product specifications or consult the approval sheet for product specifications before ordering.

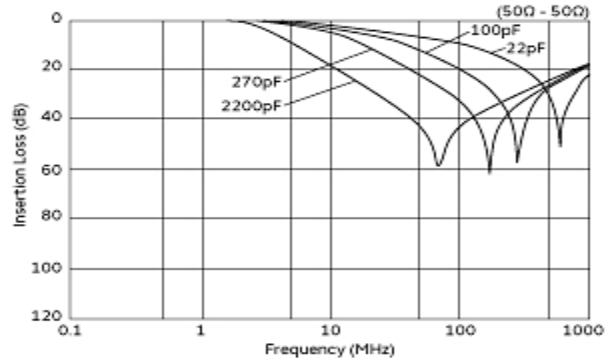
DST9HB32E271Q55#

“#” indicates a package specification code.

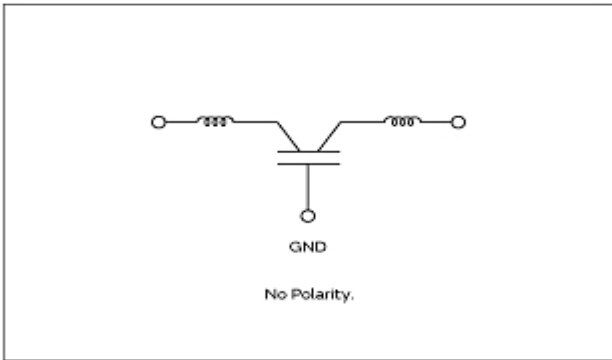
Product Data



Insertion Loss Characteristics



Insertion Loss Characteristics (Main Items)



Equivalent Circuit

Attention

- 1.This datasheet is downloaded from the website of Murata Manufacturing Co., Ltd. Therefore, it's specifications are subject to change or our products in it may be discontinued without advance notice. Please check with our sales representatives or product engineers before ordering.
- 2.This datasheet has only typical specifications because there is no space for detailed specifications. Therefore, please review our product specifications or consult the approval sheet for product specifications before ordering.