

CGA3E2NP02A391J080AA

TDK Item Description : CGA3E2NP02A391JT*****

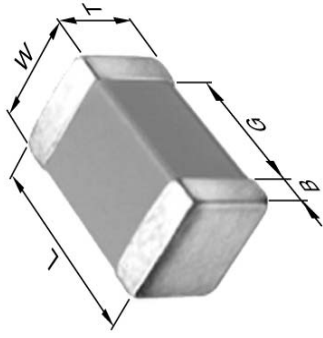
Equivalent C1608NP02A391J for Automotive

Application & Main Feature

Automotive Grade (High Temperature Application)

Series

CGA3(1608) [EIA CC0603]



Dimensions

| | | |
|---|--------|----------|
| L | 1.60mm | +/-0.1mm |
| W | 0.80mm | +/-0.1mm |
| T | 0.80mm | +/-0.1mm |
| B | 0.20mm | Min. |
| G | 0.30mm | Min. |

Temperature Characteristic

NP0 (-55 to 150 degC 0+/-30ppm/degC)

Rated Voltage

2A (100Vdc)

Capacitance

390pF

Capacitance Tolerance

J (+/-5%)

Q Factor

1000 Min.

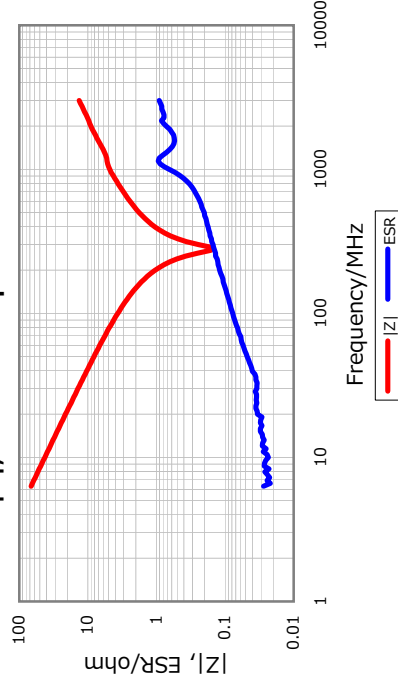
Insulation Resistance

10Gohm Min.

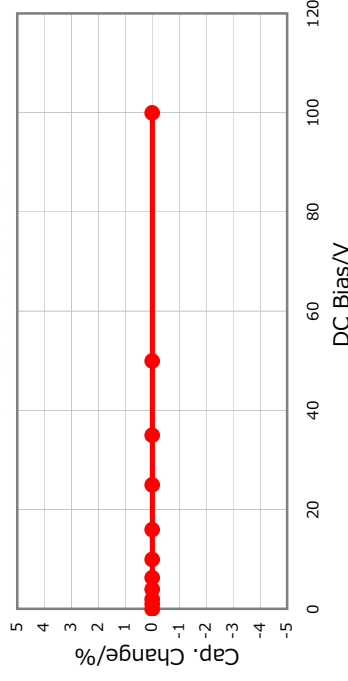
AEC-Q200

Yes

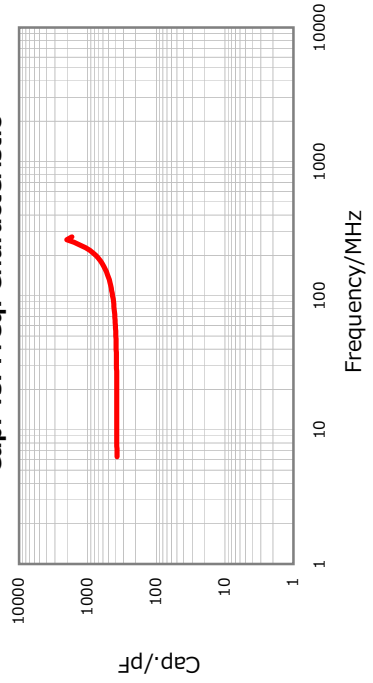
|Z|, ESR vs. Freq. Characteristics



DC Bias Characteristic



Cap. vs. Freq. Characteristic



Temperature Characteristics

