

CGJ6L2X7R1E105K160AA

TDK Item Description : CGJ6L2X7R1E105KT***

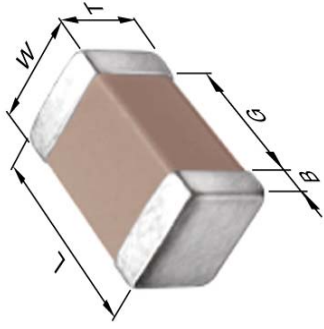


Application & Main Feature

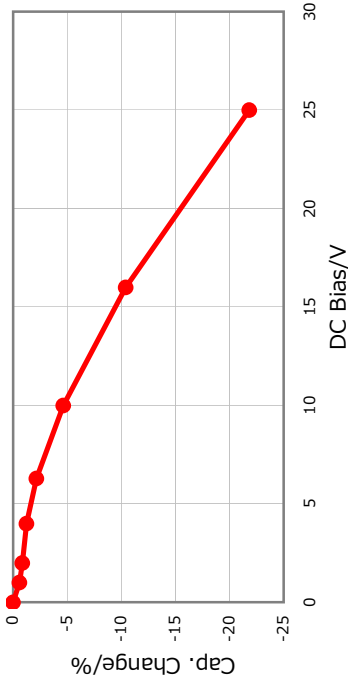
High Reliability Grade (General (Up to 50V))

Series

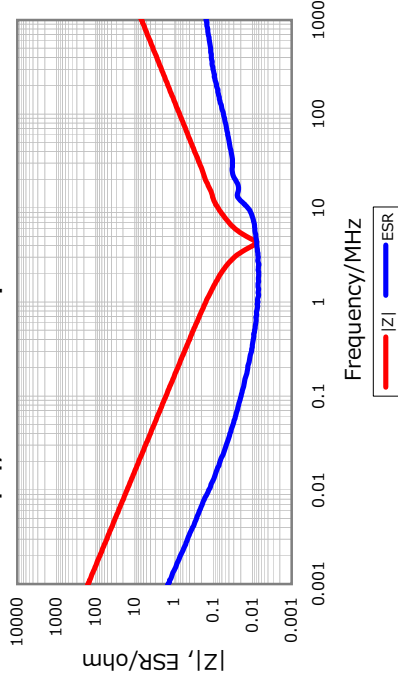
CGJ6(3225) [EIA CC1210]



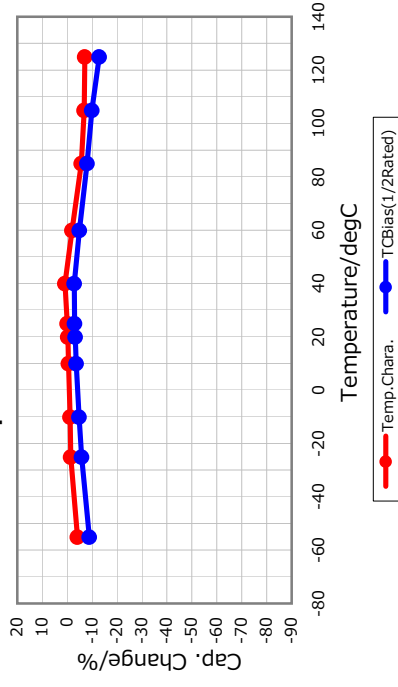
DC Bias Characteristic



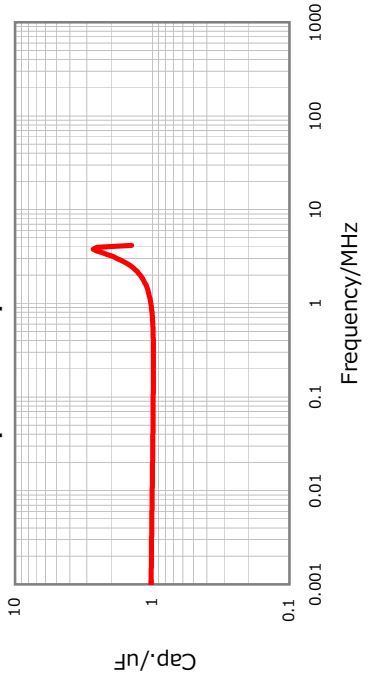
|Z|, ESR vs. Freq. Characteristics



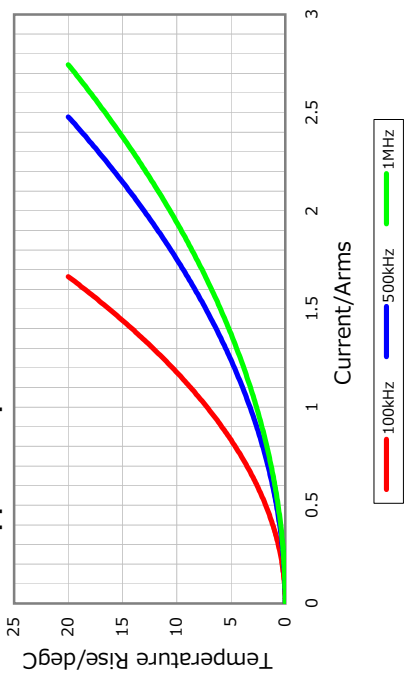
Temperature Characteristics



Cap. vs. Freq. Characteristic



Ripple Temperature Rise Characteristics



Dimensions

- L 3.20mm +/-0.4mm
- W 2.50mm +/-0.3mm
- T 1.60mm +/-0.2mm
- B 0.20mm Min.
- G

Temperature Characteristic

X7R (-55 to 125 degC +/-15%)

Rated Voltage

1E (25Vdc)

Capacitance

1uF

Capacitance Tolerance

K (+/-10%)

Dissipation Factor

3% Max.

Insulation Resistance

500Mohm Min.

AEC-Q200

Yes



All specifications are subject to change without notice.

January 4, 2016